

Technical sheet :

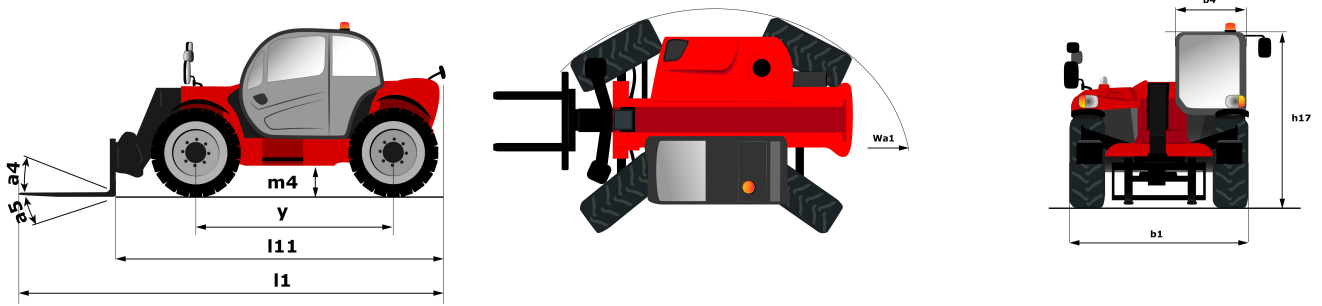
# **MT 1335 EASY ST5**

---



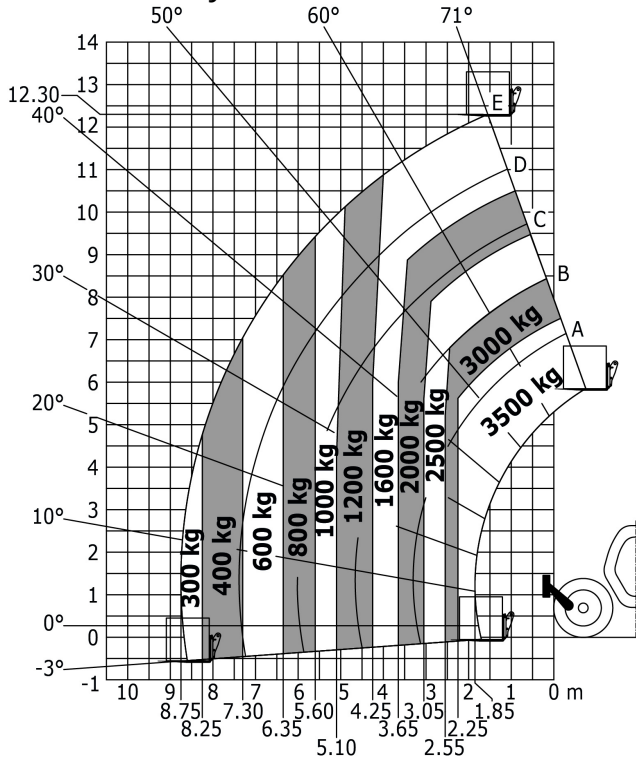
Capacities		Metric	Imperial
Max. capacity	Q	3500 kg	7716 lbs
Max. lifting height	h3	12.55 m	41 ft 2 in
Max. Reach	l4	8.75 m	28 ft 8 in
Breakout force with bucket		6500 daN	6500 daN
Weight and dimensions			
Overall length to carriage	l11	5.86 m	19 ft 3 in
Overall width	b1	2.27 m	7 ft 5 in
Overall height	h17	2.42 m	7 ft 11 in
Wheelbase	y	2.88 mm	0.113 in
Ground clearance	m4	0.42 m	1 ft 5 in
Overall cab width	b4	0.88 m	2 ft 11 in
Tilt-up angle	a4	12 °	12 °
Tilt-down angle	a5	114 °	114 °
External turning radius (over tyres)	Wa1	3.65 m	12 ft
Unladen weight (with forks)		9200 kg	20283 lbs
Tyres type		Pneumatic	Pneumatic
Standard tyres		Alliance 400/80 - 24 - 162A8	Alliance 400/80 - 24 - 162A8
Forks length / width / section	l / e / s	1200 mm x 125 mm x 45 mm	47.244 in x 4.921 in x 1.772 in
Performances			
Lifting		9.8 s	9.8 s
Lowering		8 s	8 s
Extension		14 s	14 s
Retraction		10.2 s	10.2 s
Crowd		5 s	5 s
Dump		3.8 s	3.8 s
Engine			
Engine brand		Deutz	Deutz
Engine norm		Stage V	Stage V
Engine model		TD 3.6 L	TD 3.6 L
Number of cylinders / Capacity of cylinders		4 - 3621 cm <sup>3</sup>	4 - 220.97 in <sup>3</sup>
I.C. Engine power rating - Power (kW)		75 Hp / 55.4 kW	75 Hp / 55.4 kW
Max. torque / Engine rotation		340 Nm/m @ 1600 tr/min	340 Nm/m @ 1600 tr/min
Drawbar pull (Laden)		7850 daN	7850 daN
Transmission			
Transmission type		Torque Converter	Torque Converter
Number of gears (forward / reverse)		4 / 4	4 / 4
Max. travel speed (may vary according to applicable regulations)		25 km/h	15.5 mph
Parking brake		Automatic parking brake	Automatic parking brake
Service brake		Oil-immersed multi-discs braking on front & rear axles	Oil-immersed multi-discs braking on front & rear axles
Hydraulics			
Hydraulic pump type		Gear pump	Gear pump
Hydraulic flow / Pressure		125 l/min / 270 Bar	125 l/min / 19 PSI
Tank capacities			
Engine oil		10 l	2.20 gal
Hydraulic oil		140 l	30.80 gal
Fuel tank		120 l	26.40 gal
Noise and vibration			
Noise at driving position (LpA)		78 dB(A)	78 dB(A)
Noise to environment (LwA)		103 dB(A)	103 dB(A)
Vibration on hands/arms		< 2.5 m/s	< 8.2 ft/s
Miscellaneous			
Steering wheels (front / rear)		2 / 2	2 / 2
Drive wheels (front / rear)		2 / 2	2 / 2
Safety / Safety cab homologation		Standard EN 15000 / Cab ROPS - FOPS Level 2	Standard EN 15000 / Cab ROPS - FOPS Level 2
Controls		JSM	JSM

# Dimensional drawing

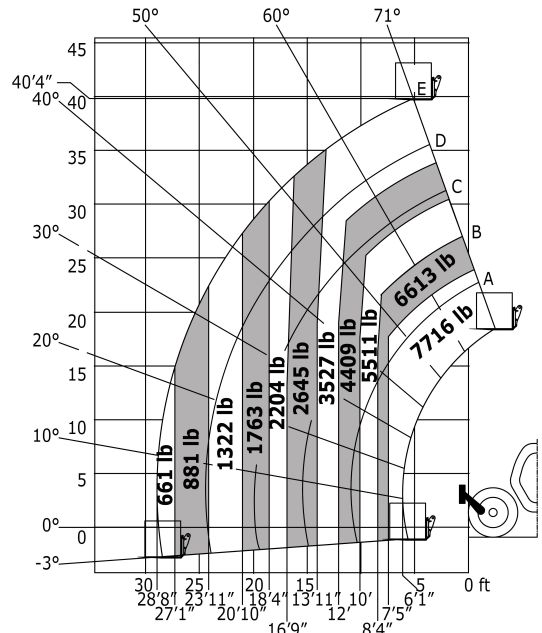


# Load chart

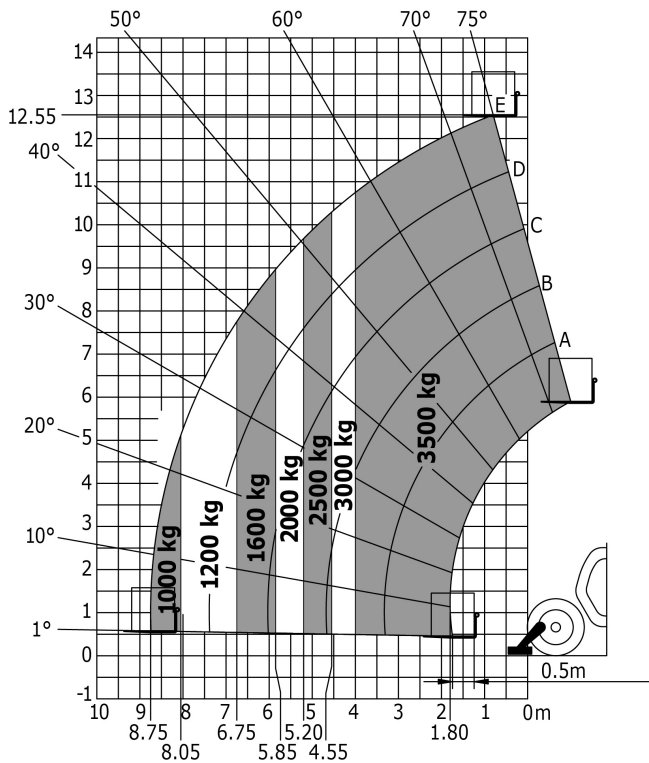
Machine on tyres with forks - with Metric



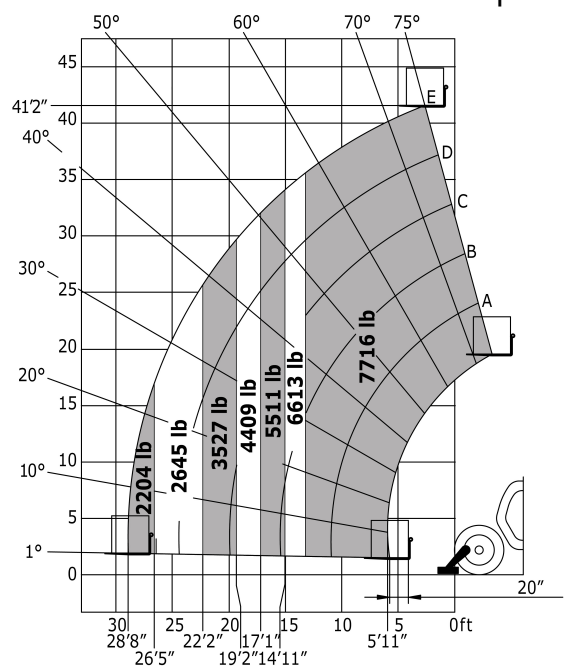
Machine on tyres with forks Imperial



Machine on stabilizers with forks Metric



Machine on stabilizers with forks Imperial





Siège Social

430 rue de l'Aubinière - 44150 Ancenis Cedex - France

Tel: +33(0)2 40 09 10 11 - Fax: +33 (0)2 40 09 10 97

[www.manitou.com](http://www.manitou.com)



This brochure describes versions and configuration options for Manitou products which may be fitted with different equipment. The equipment described in this brochure may be standard, optional or not available depending on version. Manitou reserves the right to change the specifications shown and described at any time and without prior warning. The manufacturer is not liable for the specifications given. For more information, contact your Manitou dealer. Non-contractual document. Product descriptions may differ from actual products. List of specifications is not comprehensive. The logos and visual identity of the company are the property of Manitou and may not be used without authorisation. All rights reserved. The photos and diagrams contained in this brochure are provided for information only.

MANITOU BF SA - Limited company with board of directors - Share capital: 39,668,399 euros - 857 802 508  
RCS Nantes