

Technical sheet :

# **BIG BAG HANDLER**

---



## **Benefits**

---

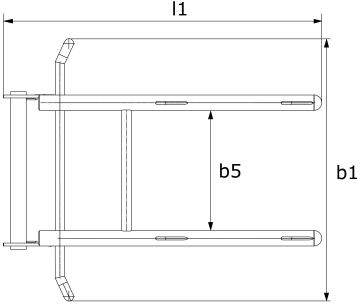
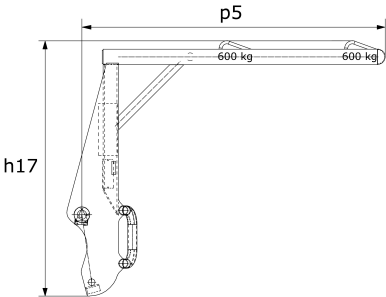
- Increases efficiency & safety of big bag handling.
- Main structure made of tubes- limits the risk of bag damages & fall.
- Elevated structure- prevents any damage of trailer's roof while loading.
- Handles indifferently big bags with 1, 2 or 4 ears.

## **Technical characteristics**

---

- Total capacity of 2400kg.
- 4 loading points with 600kg capacity each.
- 4 bag stoppers mounted on each loading point- limit the risk of bag falling.
- Anti-swing bag stabilizer- increases stability.

# Dimensional drawing



Capacities		HBB 1500 / 2400	
Capacity (kg)		2400	
Weight and dimensions			
Fork spread (mm)	b5	700	
Overall height (mm)	h17	1322	
Width (mm)		1356	
Length (mm)		1648	
Depth (mm)	p5	1570	
Overall weight (kg)		186	
Working Parameters			
Machine Equipement		No predisposition required	
Hydraulic system		false	

Machines compatibility		HBB 1500 / 2400	
Reference Number		931627	
Skid Steer Carriage reference		52578030	
MLT 625 75 H		X	
MLT 630-105		X	
MLT 630-105 V		X	
MLT 630-105 V CP		X	
MLT 635-130 PS+		X	
MLT 635-140 V+		X	
MLT 730-115 V		X	
MLT 730-115 V CP		X	
MLT 733-115		X	
MLT 733-115 LSU		X	
MLT 737-130 PS+		X	
MLT 741-140 V+		X	
MLT 840-145 PS+		X	
MLT 845 100 H		X	
MLT 845 120		X	
MLT 940-140 V+		X	
MLT 961-145 V+ L		X	
MLT 1040-145 PS+ L		X	
MLT-X 625 75 H		X	
MLT-X 732		X	
MLT-X 735 T LSU		X	
MLT-X 737-130 PS+		X	
MLT-X 741-140 V+		X	
MLT-X 840-140 PS+		X	
MLT-X 845 120		X	
MLT-X 845 120 H		X	
MLT-X 961-145 V+ L		X	
MLT-X 1040-140 PS+ L		X	
MRT 1640 Easy T4 S2 360°		X	
MRT 1840 Easy T4 S2 360°		X	
MRT 1840 Easy T4 S2 400°		X	
MRT 2145 Easy T4 S2 360°		X	
MRT 2145 Easy T4 S2 400°		X	
MRT 2470 Privilege Plus		X	
MRT 2545 Easy T4 S2 360°		X	
MRT 2545 Easy T4 S2 400°		X	
MRT 3050 Privilege Plus		X	
MRT 3255 Privilege Plus		X	
MRT-X 1640 Easy 360°		X	
MRT-X 1640 Easy 400°		X	
MRT-X 1840 Easy 360°		X	

Machines compatibility	HBB 1500 / 2400
MRT-X 1840 Easy 400°	X
MRT-X 2470 Privilege Plus	X
MRT-X 2545 Easy 360°	X
MRT-X 2545 Easy 400°	X
MRT-X 3050 Privilege Plus	X
MRT-X 3255 Privilege Plus	X
MT 420 H	X
MT 625 H	X
MT 625 HA	X
MT 733 Easy	X
MT 933 Easy	X
MT 1033 easy	X
MT 1135	X
MT 1335	X
MT 1440	X
MT 1440 A	X
MT 1440 HA	X
MT 1840	X
MT 1840 A	X
MT 1840 HA	X
MT-X 625 H	X
MT-X 733	X
MT-X 1033	X
MT-X 1440	X
MT-X 1440 A	X
MT-X 1840	X
MT-X 1840 A	X



Siège Social

430 rue de l'Aubinière - 44150 Ancenis Cedex - France

Tel: +33(0)2 40 09 10 11 - Fax: +33 (0)2 40 09 10 97

[www.manitou.com](http://www.manitou.com)



This brochure describes versions and configuration options for Manitou products which may be fitted with different equipment. The equipment described in this brochure may be standard, optional or not available depending on version. Manitou reserves the right to change the specifications shown and described at any time and without prior warning. The manufacturer is not liable for the specifications given. For more information, contact your Manitou dealer. Non-contractual document. Product descriptions may differ from actual products. List of specifications is not comprehensive. The logos and visual identity of the company are the property of Manitou and may not be used without authorisation. All rights reserved. The photos and diagrams contained in this brochure are provided for information only.

MANITOU BF SA - Limited company with board of directors - Share capital: 39,547,824 euros - 857 802 508  
RCS Nantes