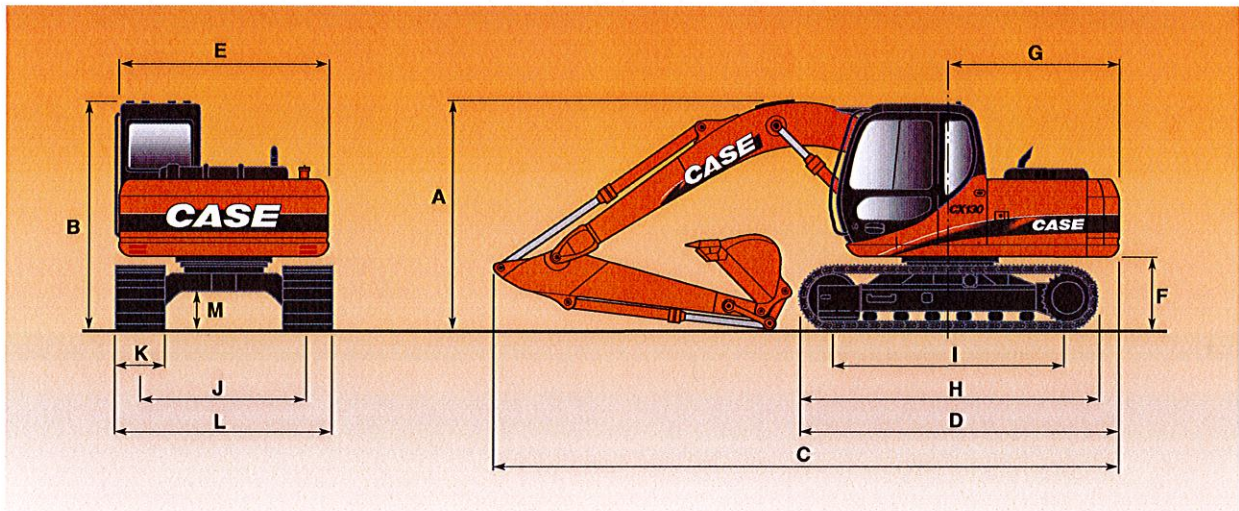




GENERAL DIMENSIONS



A Overall height*	2.74 m	I Centre/centre (idler to sprocket)	2.78 m
B Cab height	2.74 m	J Track gauge	1.99 m
C Overall length*	7.49 m	K Track shoes width (std)	600 mm
D Overall length (wo/attachment)	3.81 m	L Track overall width	Shoes 500 mm 2.49 m
E Width of upperstructure	2.52 m		Shoes 600 mm 2.59 m
F Upperstructure ground clearance	0.89 m		Shoes 700 mm 2.69 m
G Swing (rear end) radius	2.05 m	M Ground clearance	0.44 m
H Track overall length	3.51 m	* With 4.60 m monobloc boom - 2.50 m dipper and bucket.	



WEIGHT AND GROUND PRESSURE

With 4,60 m monobloc boom - 2,50 m dipper - bucket - operator and full fuel tank	Weight (kg)	Ground pressure (bar)
Shoes 500 mm rubber	12100	0.38
Shoes 500 mm steel	12150	0.39
Shoes 600 mm steel	12300	0.33
Shoes 700 mm steel	12600	0.29



BUCKETS

General purpose

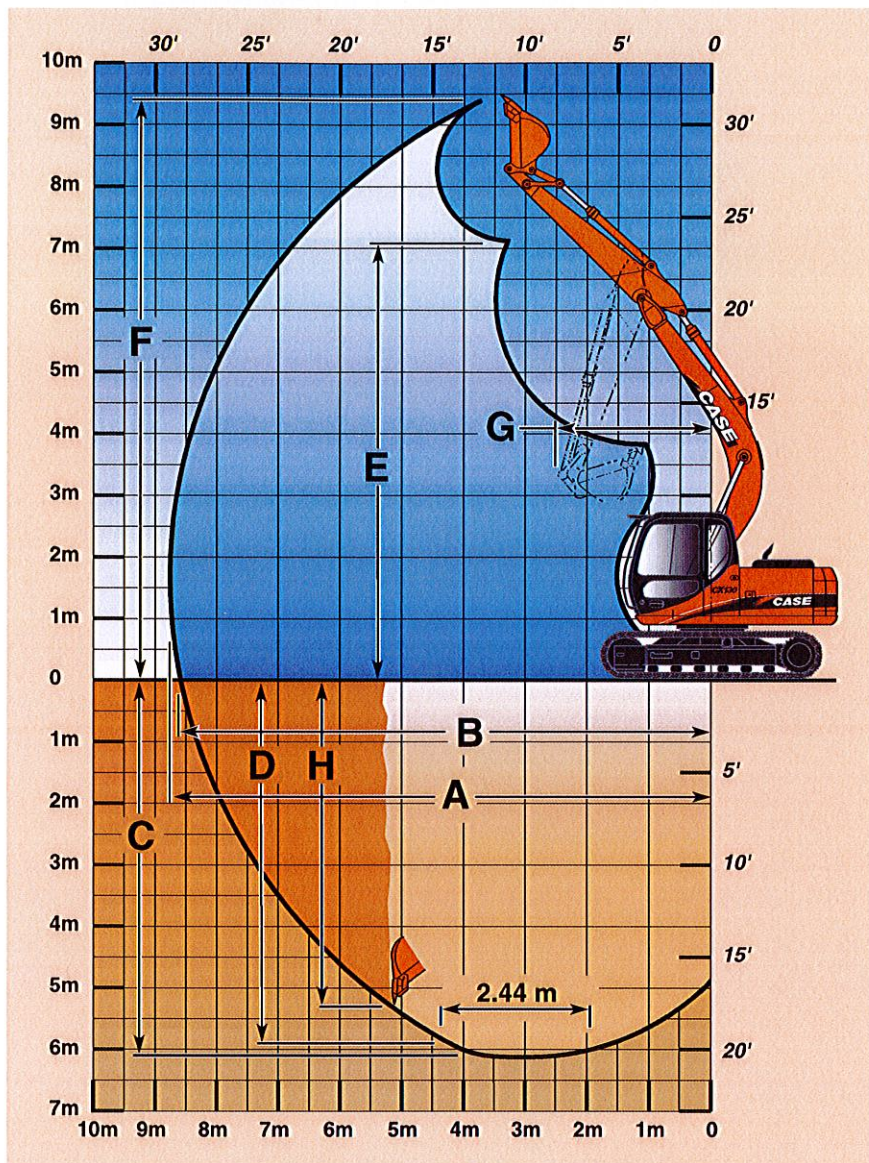
SAE capacity	Litres	155	220	320	430	540	620	700	770
Width	mm	350	450	600	750	900	1000	1100	1200
Weight	kg	270	300	330	370	410	440	470	490

Heavy duty

SAE capacity	Litres						620	700	
Width	mm						1000	1100	
Weight	kg						450	485	



PERFORMANCE DATA
With 4.60 m monobloc boom



	Dipper :		
	2.10 m	2.50 m	3.00 m
A Maximum digging reach	7.92 m	8.27 m	8.74 m
B Maximum digging reach at ground level	7.78 m	8.13 m	8.61 m
C Maximum digging depth	5.16 m	5.54 m	6.10 m
D Digging depth - 2.44 m (8') level bottom	4.92 m	5.35 m	5.92 m
E Maxi dump height	6.50 m	6.77 m	7.06 m
F Overall reach height	8.90 m	9.16 m	9.45 m
G Minimum swing radius	2.04 m	2.05 m	2.58 m
H Vertical straight wall dig depth	4.80 m	4.96 m	5.34 m
Digging force	8020 daN	6740 daN	5610 daN
Breakout force	9740 daN	9740 daN	9740 daN

LIFTING CAPACITY

With 4.60 m boom, 2.10 m dipper, 600 mm shoes and bucket

Reach Height	1.5 m		3 m		4.5 m		6 m		7.5 m		max		Max reach m	
	front	360°	front	360°	front	360°	front	360°	front	360°	front	360°		
6 m	3080*												2742*	4.84
4.5 m					3306*	3181	2404*	1909			1839*	1815	6.16	
3 m			5686*		4106*	2970	2607	1839			1882*	1510	6.68	
1.5 m			7899	5051	3959	2727	2500	1738			2016	1393	6.85	
0			7574	4780	3776	2560	2417	1660			2056	1410	6.67	
-1.5 m	5938*		7554	4764	3716	2506	2396	1641			2329	1596	6.12	
-3 m	9637*		7615*	4882	3780	2564					3142	2154	5.08	
-4.5 m														

With 4.60 m boom, 2.50 m dipper, 600 mm shoes and bucket

Reach Height	1.5 m		3 m		4.5 m		6 m		7.5 m		max		Max reach m	
	front	360°	front	360°	front	360°	front	360°	front	360°	front	360°		
6 m	2668*												2103*	5.39
4.5 m					2943*		2713*	1941			1490*		6.55	
3 m			4930*		3768*	3019	2629	1857			1519*	1377	7.05	
1.5 m			7650*	5191	4001	2763	2511	1747			1650*	1273	7.20	
0	2661*		7620	4816	3791	2573	2413	1655			1879	1283	7.03	
-1.5 m	5336*		7530	4741	3702	2491	2369	1615			2096	1429	6.52	
-3 m	8359*		7623	4819	3729	2517					2702	1850	5.56	
-4.5 m			5646*	5073							4312*	3441	3.82	

With 4.60 m boom, 3.00 m dipper, 600 mm shoes and bucket

Reach Height	1.5 m		3 m		4.5 m		6 m		7.5 m		max		Max reach m	
	front	360°	front	360°	front	360°	front	360°	front	360°	front	360°		
6 m	2005*												1734*	6.17
4.5 m					2422*		2617*	2009			1590*	1460	7.06	
3 m			3812*		3263*	3123	2689	1913	1695*	1257	1624*	1248	7.53	
1.5 m			6687*	5423	4093	2846	2554	1788	1753	1205	1686	1155	7.67	
0			7720	4898	3839	2616	2435	1675	1703	1158	1699	1155	7.51	
-1.5 m	4841*		7511	4724	3704	2493	2364	1609			1858	1261	7.03	
-3 m	7363*		7534	4743	3687	2478	2370	1615			2285	1558	6.15	
-4.5 m	10972*		6840*	4920	3810	2589					3619	2468	4.65	

- Machine in «LIGHT» mode

- Lift capacities are taken in accordance with SAE J 1097 / ISO 10567 / DIN 15019-2.

- Lift capacities shown in kg do not exceed 75% of the tipping load or 87% of the hydraulic lift capacity.

- Capacities that are marked with an asterisk are hydraulic limited

- If the machine is equipped with a quick coupler, subtract the weight of the quick coupler from the load shown in the tables to calculate the real lifting capacity.

