



MT CONSTRUCTION RANGE
Telehandlers



Handling your world

Founded over 60 years ago by the Braud family, the Manitou Group now operates worldwide. A world leader in all-terrain material handling, the Group designs, manufactures, distributes and services equipment for construction, agriculture and industries.

The Group's product ranges include: all-terrain fixed, rotating and heavy-load telehandlers; articulate loaders, all-terrain, semi-industrial and industrial masted forklift trucks; wheel or track skid-steer loaders; backhoe loaders; access platforms; truck-mounted forklifts; warehousing equipment; and attachments.

Through its iconic brands – Manitou, Gehl and Mustang – and its worldwide network of 1,500 dealers, the Group offers the best solutions to create optimum value for its customers.

With its registered office in France, the group recorded revenue of 1.3 billion euros in 140 countries and it employs 3,700 people all committed to delivering customer satisfaction.



1958

Marcel Braud conceives the idea of the Manitou truck.

1972

The Group enters foreign markets.

Sales partnership agreement signed with Toyota for exclusive distribution of Toyota industrial forklift trucks in France.

1981

Launch of first Manitou telehandler.

1984

Manitou enters the stock exchange.

1993

The first MRT rotating telehandlers are sold.

1995

Launch of first range of access platforms.

1996

ISO 9001 certification obtained.

1998

Marcel Braud becomes Chairman of the Supervisory Board.

2007

Manitou opens an international logistics centre spanning 22,000 m².



3 brands
distributed by
1,500 dealers
in 140 countries

MANITOU | **GEHL** | **MUSTANG**

- 21 subsidiaries
- 11 production facilities
- 3,700 employees worldwide
- 77% of revenue comes from foreign markets
- Revenue of 1,3 billion euros in 2016

2008

Takeover of the American company Gehl.

2009

Change of management and a return to a Board of Directors.

2010

Launch of Gehl and Mustang articulated loaders.

2012

Crossover agreement signed with Yanmar for the manufacture and distribution of mini-excavators.

2013

Consolidation of Yanmar partnership as Yanmar becomes a Group shareholder with 6.26% of the capital.

2014

January: Michel Denis is appointed President and CEO.
April: A new roadmap is drawn up focusing on the three divisions, including one for services.

2015

Manitou sells its 500,000th machine worldwide.



2016

Launch of the new MLT range, NewAg rotating telehandlers for agriculture.



2017

Inauguration of the new entity, Manitou Equipment India, specialising in compact loaders and backhoe loaders.

ALL-TERRAIN MANOEUVRABILITY COMPACTNESS



TAKE A SEAT!

Discover a wide range of Manitou telehandlers from 4 to 18 metres and 2.0 to 4.0 tonnes. Each model is designed to respond directly to your day-to-day concerns, whether you are a rental company, distributor or renter.

SUMMARY

The MT range	6
Connected machines	8
Compact 4 - 6 m	12
Medium height 7 - 13 m	18
High 14 - 18m	22
Technical specifications	26
Selection of attachments	32
Manitou services	34



THE ESSENTIALS IN JUST ONE RANGE!

You have a range of forklifts from 4 to 18 m,
and 2 to 4 tonnes.



Ultra short
turning radius
from:
2.98 m



Working offset
up to
13.5 m

4.3 to 18 m
lifting height

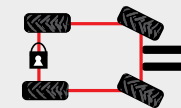
Capacity from
2 to 4 t



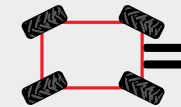
The **Manitou** telehandler

Manitou telehandlers are handling machines ideally suited for working in **all-terrain** conditions. Equipped with four-wheel drive and steering, they have **high-performance load charts** to offer you a suitable work envelope for your sites.

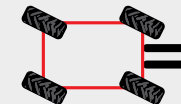
An ultra-manageable machine with **3 steering modes**



TWO STEERING WHEELS
to ensure greater safety on the road



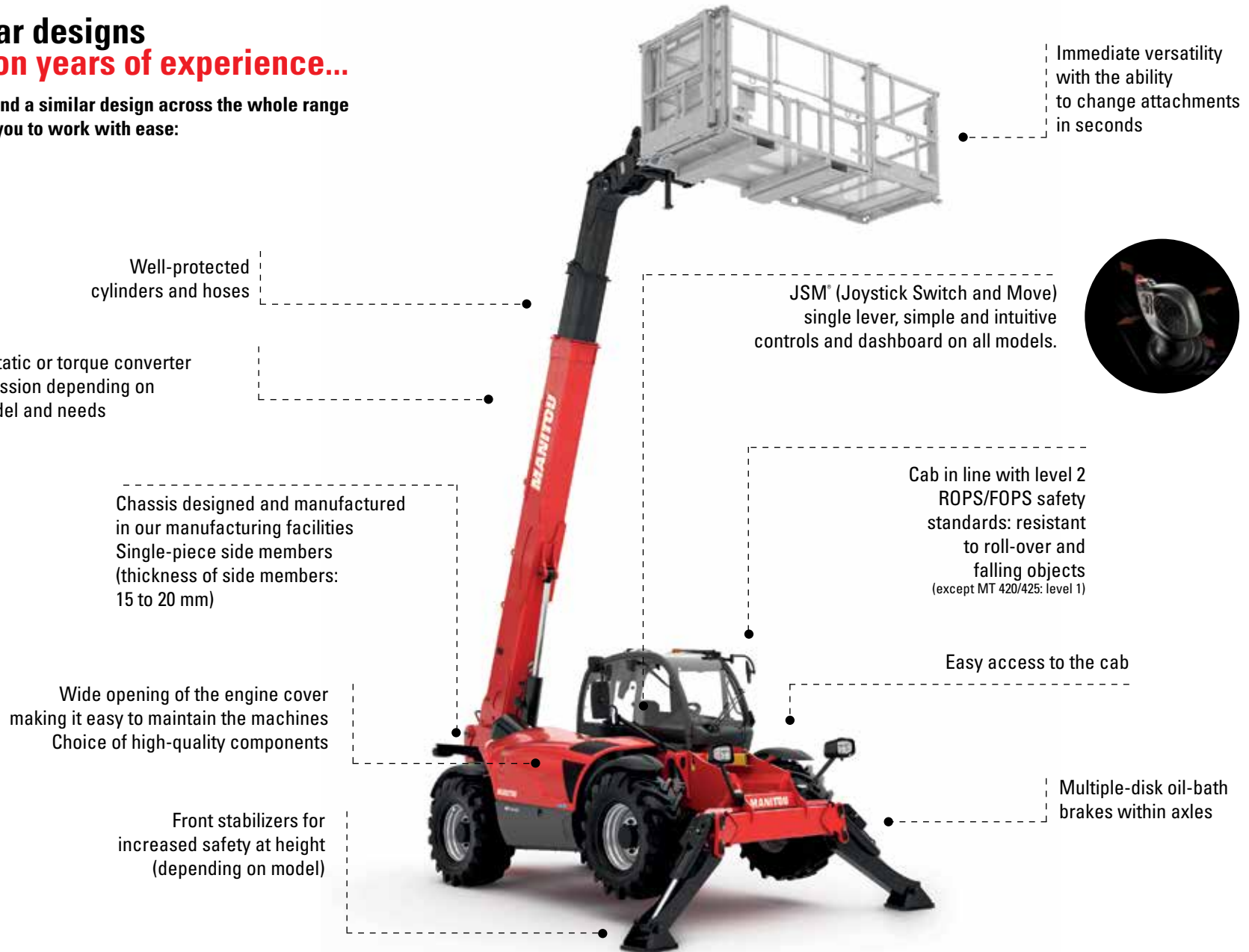
FOUR STEERING WHEELS
to manoeuvre around confined sites



CRAB STEER
for tricky sideways approaches

Similar designs built on years of experience...

You will find a similar design across the whole range allowing you to work with ease:

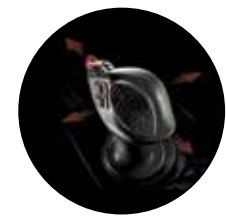


Immediate versatility with the ability to change attachments in seconds

Well-protected cylinders and hoses

Hydrostatic or torque converter transmission depending on the model and needs

JSM* (Joystick Switch and Move) single lever, simple and intuitive controls and dashboard on all models.



Chassis designed and manufactured in our manufacturing facilities
Single-piece side members (thickness of side members: 15 to 20 mm)

Cab in line with level 2 ROPS/FOPS safety standards: resistant to roll-over and falling objects (except MT 420/425: level 1)

Wide opening of the engine cover making it easy to maintain the machines
Choice of high-quality components

Easy access to the cab

Front stabilizers for increased safety at height (depending on model)

Multiple-disk oil-bath brakes within axles

OF CONNECTED MACHINES

Easy MANAGER: The perfect solution for optimising your TCO

Available as an option for each one of our machines, Easy MANAGER is dedicated to improving your productivity.



Manage maintenance costs and preserve the durability of your equipment

Maintenance is carried out at exactly the right time by continuously monitoring the hours operated.



Save time and fuel

With the localisation feature, Easy MANAGER gives you the best route (in time and distance) to access your equipment.



Optimise your equipment usage

You are informed in real time of the activity and availability of your equipment.



Anticipate and limit equipment downtime

By sharing data with your dealer and with your agreement, work is planned in advance and carried out at your convenience.



View the operating information

of the equipment including advanced data (tank level and fuel consumption) and remote diagnostics (subject to eligibility).

Secure your property

Easy MANAGER Mobile informs you instantly about any unplanned movement or activity.



**Intuitively
Ergonomic
Easy to use**

To facilitate access to key information about the machine, the Manitou group has launched the Easy MANAGER Mobile application, easily accessed directly from your smartphone.

Do you know the real cost of ownership of your equipment?

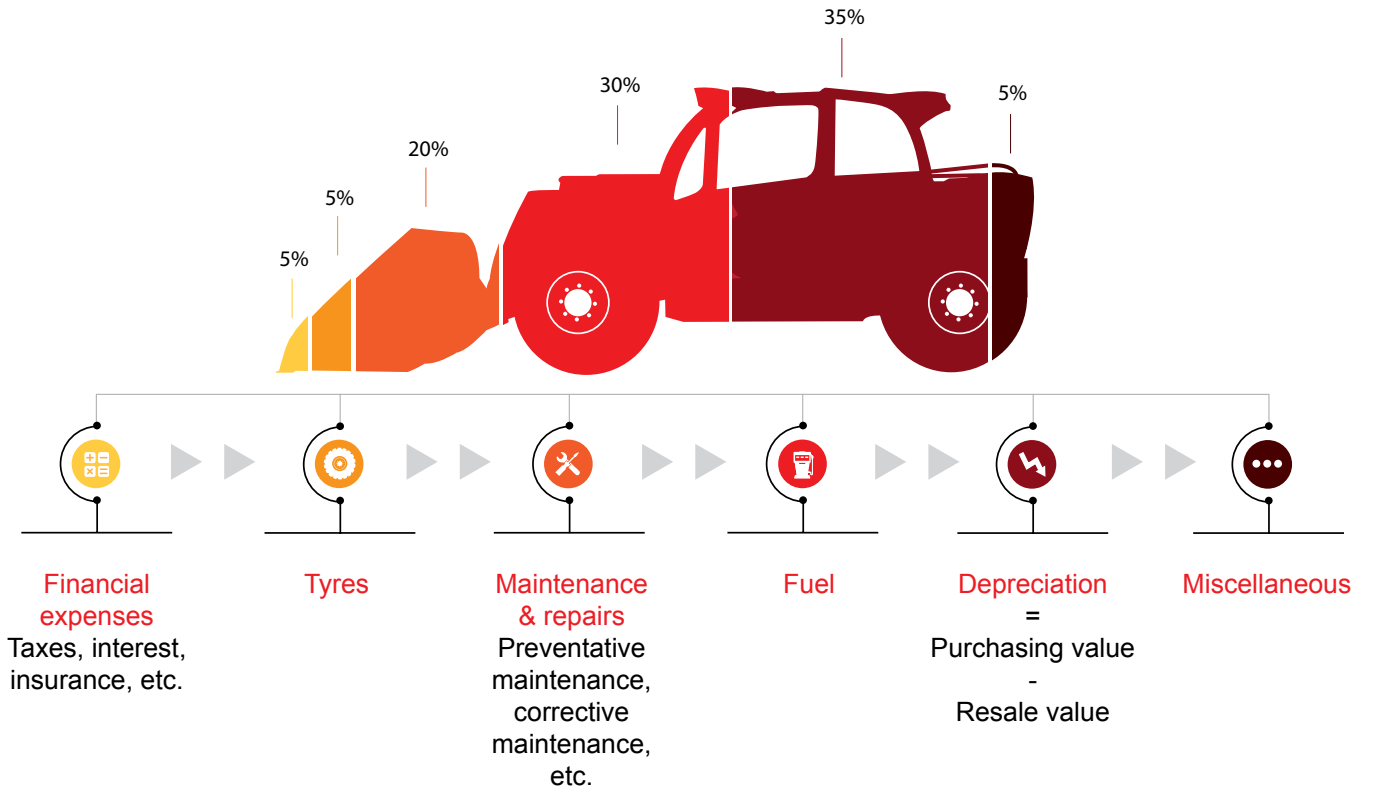
REDUCE TCO (Total Cost of Ownership) gives you a detailed breakdown of costs for your machine and helps you to optimise the profitability of your production tool.



What does TCO stand for?

TCO is the total cost of ownership of an asset, more commonly known as the running cost.

This indicator considers both fixed costs, such as acquisition, interest, rent, and residual value, but also all variable costs linked to using your machine, such as maintenance, user training, etc.



Calculate your TCO on tco.manitou.com







ONE RANGE TO KEEP YOU SATISFIED!

Whether you're looking for compactness, height or all-terrain features, our MT range will meet your needs.



**4&6m
Compact
range**

MT420 / 425

An ultra-compact & manoeuvrable machine

The 420 H New Buggy is the most compact telehandler in the MT Manitou range.

With its exceptional dimensions, the MT 420 H New Buggy is the ideal partner on any worksite! Capable of negotiating the most confined, uneven and difficult-to-access spaces, the MT 420 H New Buggy boasts **four-wheel drive and steering** and a **turning radius of under three metres**.

Enjoy a compact, easily manoeuvrable machine which will help reduce your TCO!



< 2m with the compact rotating beacon light

1.90 m

0.24 m

3.63 m

1.49 m



Easy to use

The working environment is spacious and ergonomically designed. All controls are within easy reach.

The hydrostatic transmission, with gear change on the JSM®, provides flexibility and precision.



Optimise your sites, maximise your profits!

The MT 420 H New Buggy is equipped with a standard Manitou tool holder. Manitou approves the attachments, which meet all current standards.

Thanks to its 4.30m / 2.0 tonne lifting capacity and its compactness, the MT 420 H New Buggy is **the only machine of its kind on the market**. Its versatility is a genuine asset, giving it an excellent **resale value**.



Guaranteed safety

- Thanks to the different positions of the components, you benefit from **360° visibility** inside the cab and **perfect stability** of the machine on all types of sites.
- Powerful disc brake on the universal joint which operates on both axles.
- Automatic parking brake to avoid any risk of accident.
- Front and rear cameras available (optional).
- Machine complies with ROPS/FOPS level I regulations.

Proven performances & efficiency

- Very good load chart capable of supporting up to **2 tonnes at 4.30 m**.
- All-terrain machine that can adapt to the constraints of your worksite.
- Proven reliability of the main structural components shared with the MT625 (cab, tyres, hydrostatic transmission, Kubota 49hp engine, axles, etc.).
- Maximum speed: 25 kph.
- **Reinforced boom head** for use with bucket.
- "Fan Drive", hydraulic regulation of ventilation as standard for optimum engine cooling.





Easy to maintain and transport

- Highly compact **machine** with **easy access** to maintenance components. **Cost of preventative maintenance < €1/hour.**
- The engine cover opens in two parts, making it easy to perform maintenance. The strengthened and removable cover is made of "Telene", an ultra-resistant and easy-to-maintain material.
- Hydraulic oil change every 2,000 hours.
- **Corrective maintenance:** Reduction of exposed parts, rear stop lights integrated into the counterweight, low frame steel door, protection of cylinders and hoses.
- Identified and accessible tie-down and slinging points.

MT625

A versatile and compact machine

Ideally designed for **construction and urban renewal**, the MT 625 has outstanding characteristics in terms of compactness.

With a width and height of under 2 m, the MT 625 H can be used with ease in cramped spaces (material depots, urban or congested construction sites, garage doors or underground car parks).



Ease of use and maintenance

The MT 625, just like the 420 MT, offers you all the advantages of a loader, telehandler and the industrial forklift combined.

- Easy to use, maintain and transport.
- Quick start: start in under 30 seconds.
- Maintenance information on the dashboard (error codes).
- The wide opening of the engine cover, on the side of the machine, enables components to be accessed easily.

Efficiency & performance

- **Choice of 2 Kubota engines**
 - 49 hp for handling applications.
 - 75 hp for customers looking for more performance and commitment.
- For off-road applications, the MT 625 has a ground clearance of 33 cm.
- 2-speed hydrostatic transmission (flexibility and driving comfort).
- Reinforced boom suitable for bucket operations.
- Option of equipping the MT 625 HA with two types of platforms (200 kg compact or 365 kg wide).





7,9,10_m
**Medium
height**

Compactness, simplicity and performance for sites up to 10 m high

Available in the Easy (75 hp) version, the medium height telehandlers offer a good compromise between compactness and performance thanks to lifting heights ranging from 7 to 10 meters, a nominal capacity of 3 to 3.2 tonnes and optimised dimensions. The medium height machines are ideal for masonry work, roofing or for any site requiring compact machines while maintaining powerful load charges.

The MT 1030 Easy is the only model in this range to be equipped with stabilizers that make it particularly effective with these lifting capacities. When not in use, the stabilizers fold away in the machine's frame, preserving its compactness (height 2.30 m x width 2.34 m).



Effective and robust machines

The MT range of 7 to 10 meters is very easy to use whether you're driving, changing attachments or performing maintenance. All models in the medium-height range offer:

- High-quality components.
- An excellent standard of machine workmanship.
- A robust and reliable chassis and boom design (high-quality steel for the boom and a one-piece welded frame).
- All-terrain capability (ground clearance, tyre size, protection under the machine).
- Effective braking integrated into the front and rear axles.
- Handling (short turning radius: 3.80 m).



Simplicity of use

The entire 7 to 10 meter MT Easy range is available with torque converter transmission, a Deutz engine - 75 hp with a 4 speed gearbox.

The choice of torque converter allows you to increase productivity and performance throughout your working day, in all-terrain conditions.



8, 11, 13^m
**Medium
height**

Compact machines

Just like the MT 1030, the 8 to 13 meter machines maintain compactness and performance.

The stabilizers stay in the machine's frame when folded.

The 8 to 13 meter range offers an ultra-short turning radius (3.65 m).



Comfort and ergonomics

The medium-height MT range is equipped with a modern cab, offering 360° visibility and comfort at work. Simple and intuitive dashboard with JSM®.





8 to 13 meter telehandlers combining compactness, comfort and performance

With their 3.5 tonne nominal capacity and 3 lifting heights, this range offers effective and productive models in the Easy or stage IV range.

You can take advantage of a range offering many benefits:

- Easy to maintain
- Option of tilt correction system with the MT1135 and 1335
- Hydrostatic or torque converter transmission to meet your work requirements
- From 11 meters, you can have the option of being platform-ready with the Easy range.

You will find the same charts and hydraulic movements across the Easy and Stage IV ranges.





14,18_m
High

The magic of great heights Safety, performance and versatility

The MT 1440 and 1840 telehandlers are very powerful. They have an excellent work envelope and a lifting capacity of up to 4 tonnes.

These machines offer you versatility not seen elsewhere on the market:

- Simple and easy to transport machine.
- Similar design between the different machines in the range.
 - Wide stabilizers for frontal and lateral stability.
- Multitude of applications on site thanks to numerous attachments.
 - 75 hp or 100 hp engine.



Work simply and safely

The ECS enables the hydraulic line to be depressurized without turning off the engine.

- Adjustment of the hydraulic flow of the attachment line.
- Automatic parking brake with hill-start assist.
- Locking of the fork carriage tilt to secure your handling.
- Digicode to start the machine.
- Optional radio control.



An **ultra-resistant engine cover**

The 14-18 m MT are now equipped with a heavy-duty engine cover made of Telene, thermo hardened resin which absorbs shocks without deformation.

Therefore, they have increased resistance to impacts on site as well as to heat and vibrations.

Easily repairable in case of cracks or paint touch-ups, they are also easy to transport and replace thanks to their optimised weight.



Increase productivity **with a powerful machine**

The performance and handling of the MT 1440/1840 telehandlers enable you to carry out all your construction work in order to increase productivity.

Just like the medium-height machines, you maintain outstanding load charts and performance.

+/-9% tilt correction system available on both versions. Use of the platform up to 1,000 kg with automatic locking of the rear axle.



THE MODEL THAT'S RIGHT FOR YOU!

You have a range of forklifts from 7 to 18m. Choose your 75 or 100 hp engine, your level of finish and all of your attachments.



MT EASY

75 hp

The Easy range, recognizable by its checked pattern on the door and on the ne cover, **is available on all models in the MT range from 7 to 18 m**. This range allows you to acquire a robust and reliable machine incorporating all of the Manitou essentials:

- 75 hp Deutz engine
- on-site performance
- Manitou quality
- load charts as efficient as the Stage IV range
- "Standard" or "Comfort" level of finish
- service level unchanged



MT

100 hp

For more substantial requirements in terms of productivity, **the Stage 4 range**, available from 11 to 18 meters and 3.5 to 4.0 tonnes, is offered with an 100 hp engine

(With the exception of the MT 835 an 1435 models, available only in the Easy version)

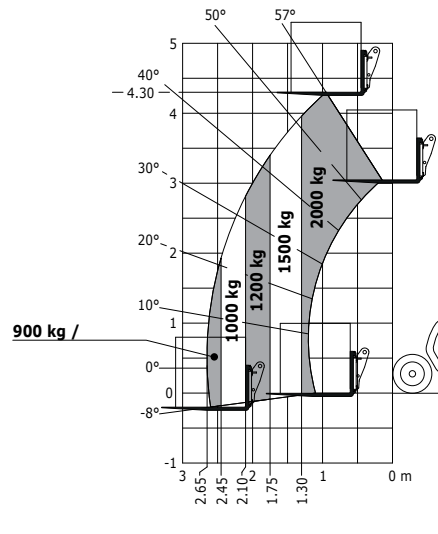
- 100 hp Perkins engine
- On-site and on-road performance (35 km/h option)
- Manitou quality
- Efficient load chart
- "Comfort" level of finish
- Service level unchanged



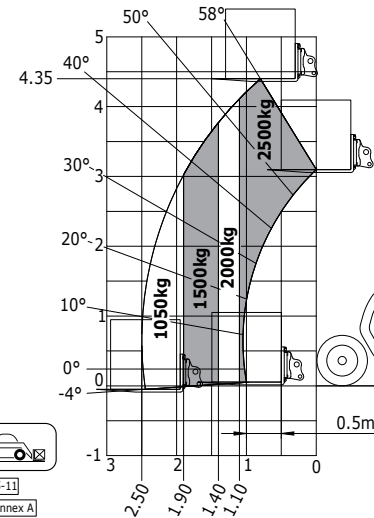
MT 420 H
MT 425 H

		MT 420 H	MT 425 H
Transmission	H/C*	Hydrostatic	Hydrostatic
Engine power	hp (kW)	49 (36)	49 (36)
Engine brand	-	Kubota	Kubota
Max. capacity	kg	2 000	2 500
Max. lifting height	m	4.30	4.35
Max. outreach	m	2.65	2.50
Stabilizers		No	No
Dimensions with the fork carriage (LxWxH)	m	3.63 x 1.49 x 1.90	3.60 x 1.49 x 1.90
Turning radius (cutter wheels)	m	2.98	2.98
Ground clearance	m	0.24	0.24
Unladen weight (with forks)	kg	4 215	4 378
Max speed (may vary according to the regulations in force)	km/h	25	25

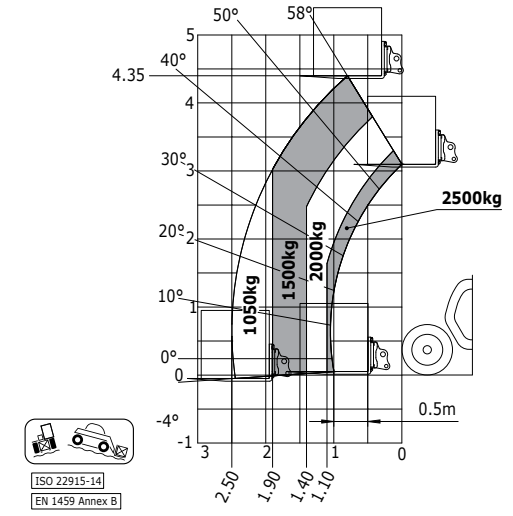
* H: Hydrostatic / C: Torque converter



MT 420 H



MT 425 H
Appendix A industrial



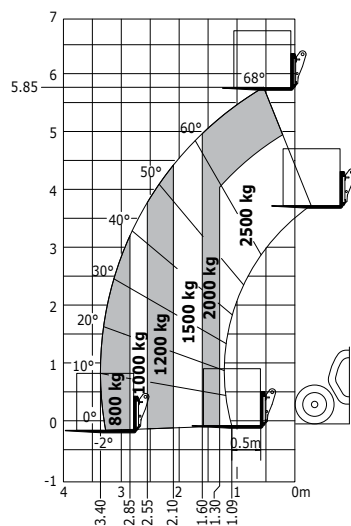
MT 425 H



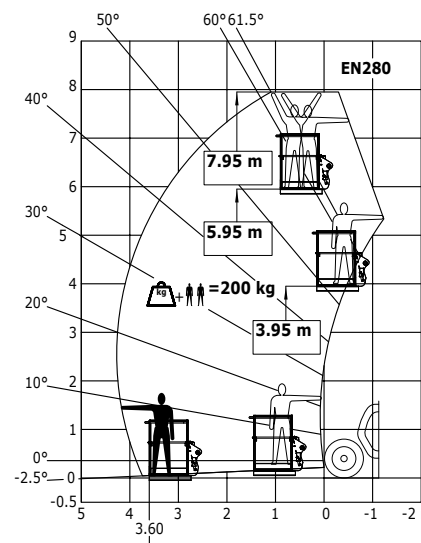
		MT 625 H	MT 625 H Easy	MT 625 HA**
Transmission	H/C	Hydrostatic	Hydrostatic	Hydrostatic
Engine power	hp (kW)	75 (55.4)	49 (36)	75 (55.4)
Engine brand	-	Kubota	Kubota	Kubota
Max. capacity	kg	2 500	2 500	2 500
Max. lifting height	m	5.85	5.85	5.85
Max. outreach	m	3.40	3.40	3.40
Stabilizers		No	No	No
Dimensions with the fork carriage (LxWxH)	m	3.90 x 1.81 x 1.92	3.90 x 1.81 x 1.92	3.90 x 1.81 x 1.92
Turning radius (cutter wheels)	m	3.31	3.31	3.31
Ground clearance	m	0.33	0.33	0.33
Unladen weight (with forks)	kg	4800	4710	4800
Max speed (may vary according to the regulations in force)	km/h	25	25	25

** HA: Hydrostatic / Access (platform ready)

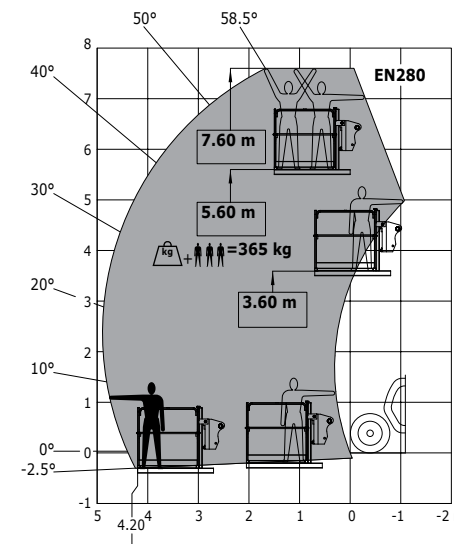
MT 625 H
MT 625 H EASY
MT 625 HA



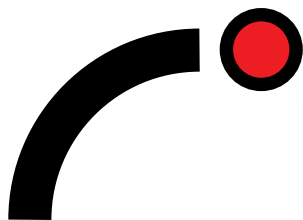
MT 625 H
MT 625 H Easy
MT 625 HA



MT 625 HA
200 kg platform



MT 625 HA
365 Kg

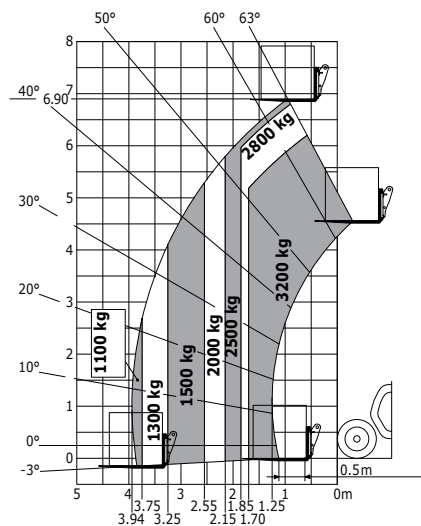


MEDIUM HEIGHT

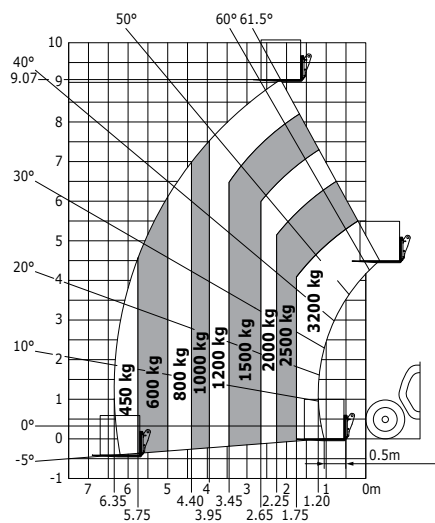


MT 732 EASY MT 932 EASY MT 1030 EASY

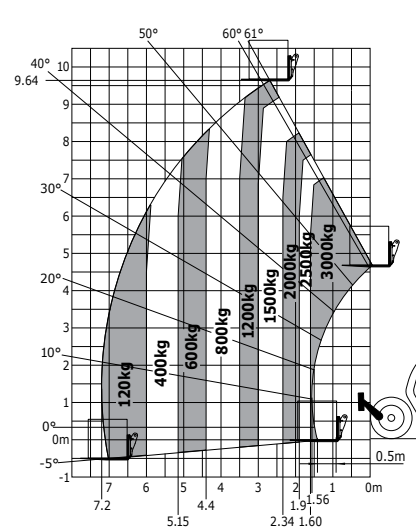
		MT 732 Easy	MT 932 Easy	MT 1030 Easy
Transmission	H/C	Torque converter	Torque converter	Torque converter
Engine power	hp (kW)	75 (55.4)	75 (55.4)	75 (55.4)
Engine brand	-	Deutz	Deutz	Deutz
Max. capacity	kg	3 200	3 200	3 000
Max. lifting height	m	6.90	9.00	9.98
Max. outreach	m	3.94	6.35	7.15
Stabilizers		No	No	Yes
Dimensions with the fork carriage (LxWxH)	m	4.76 x 2.34 x 2.30	4.70 x 2.34 x 2.30	4.99 x 2.34 x 2.30
Turning radius (cutter wheels)	m	3.80	3.80	3.80
Ground clearance	m	0.45	0.45	0.45
Unladen weight (with forks)	kg	6 780	7 145	7 720
Max speed (may vary according to the regulations in force)	km/h	25	25	25



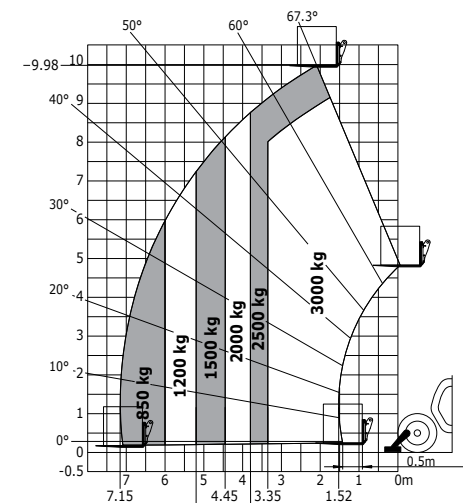
MT 732 EASY



MT 932 EASY



MT 1030 EASY
on tyres



MT 1030 EASY
on stabilizers

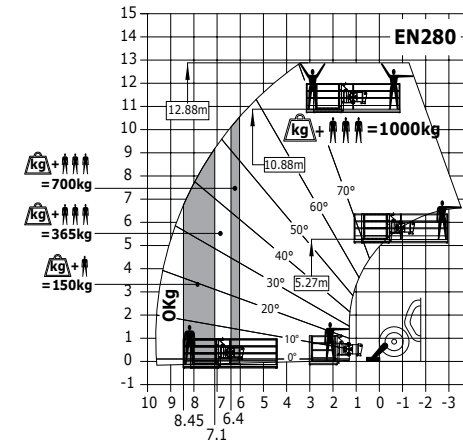


MT 835 EASY

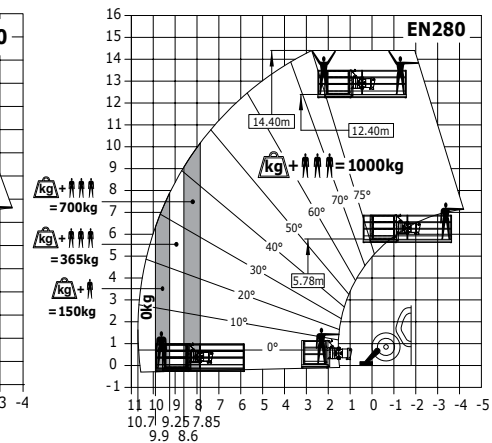
MT 1135 / 1135 EASY

MT 1335 / 1335 EASY

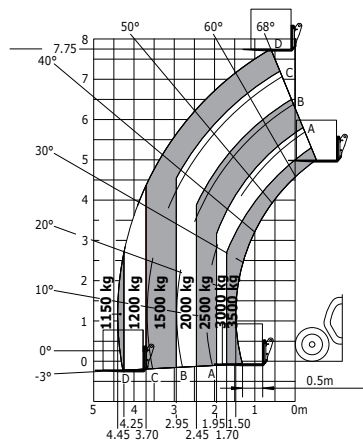
		MT 835 Easy	MT 1135 Easy / HA Easy MT 1135	MT 1335 Easy / H-HA Easy MT 1335
Transmission	H/C	Torque converter	Hydrostatic torque converter (HA)	Hydrostatic torque converter (H - HA)
Engine power	hp (kW)	75 (55)	75 (55.4) Easy 100 (75)	75 (55.4) Easy 100 (75)
Engine brand	-	Deutz	Deutz 75 (55.4) Perkins 100 (75)	Deutz 75 (55.4) Perkins 100 (75)
Max. capacity	kg	3 500	3 500	3 500
Max. lifting height	m	7.75	11.05	12.55
Max. outreach	m	4.45	7.75	8.75
Stabilizers		No	Yes	Yes
Dimensions with the fork carriage (LxWxH)	m	5.24 x 2.28 x 2.42	5.37 x 2.28 x 2.42	5.86 x 2.28 x 2.42
Turning radius (cutter wheels)	m	3.65	3.65	3.65
Ground clearance	m	0.42	0.42	0.42
Unladen weight (with forks)	kg	7 200	8 900	9 200
Max speed (may vary according to the regulations in force)	km/h	25	25 (Easy) 25 or 35	25 (Easy) 25 or 35



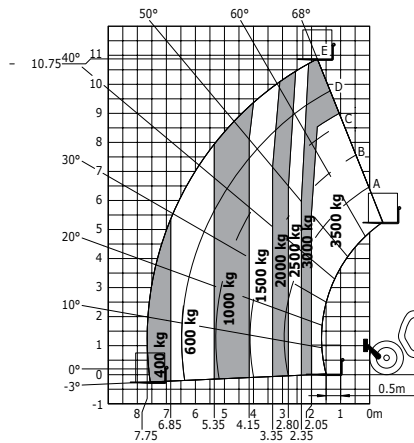
MT 1135 HA EASY
platform



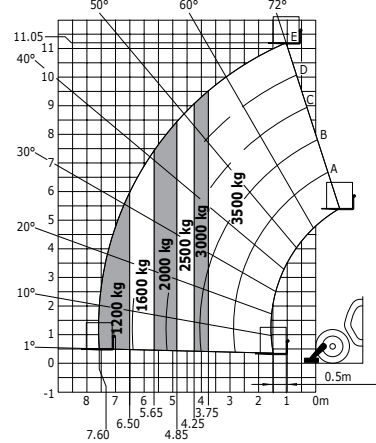
MT 1335 HA EASY
platform



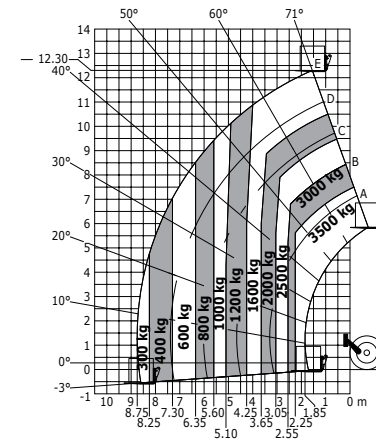
MT 835 Easy



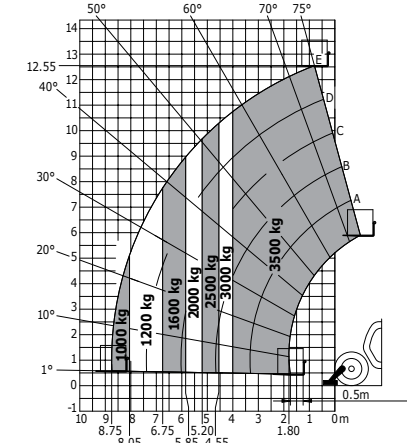
MT 1135/1135 Easy
on tyres with tilt correction system



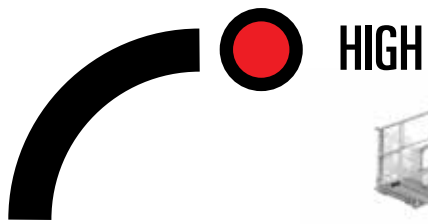
MT 1135 / 1135 EASY
on stabilizers



MT 1335/1335 Easy
on tyres with tilt correction system



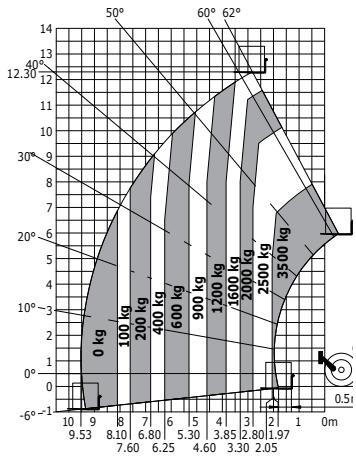
MT 1335/1335 Easy
on stabilizers



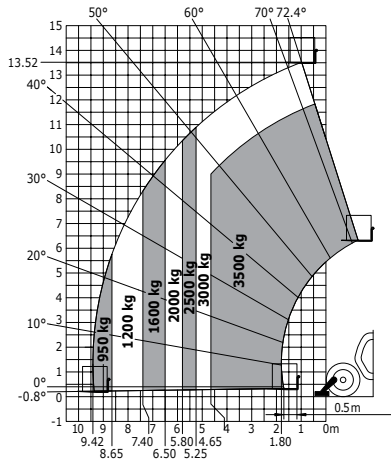
MT 1435 EASY MT 1440 / 1440 EASY

		MT 1435 Easy	MT 1440 Easy	MT 1440	MT 1440 A* / HA
Transmission	H/C	Torque converter	Torque converter	Torque converter	A: Torque converter / HA: Hydrostatic
Engine power	hp (kW)	75 (55.4)	75 (55.4)	100 (75)	100 (75)
Engine brand	-	Deutz	Deutz	Perkins	Perkins
Max. capacity	kg	3 500	4000	4000	4000
Max. lifting height	m	13.52	13.53	13.53	13.53
Max. outreach	m	9.53	9.46	9.46	9.46
Stabilizers		Yes	Yes	Yes	Yes
Dimensions with the fork carriage (LxWxH)	m	6.13 x 2.37 x 2.45	6.13 x 2.37 x 2.45	6.13 x 2.37 x 2.45	6.13 x 2.37 x 2.45
Turning radius (cutter wheels)	m	3.97	3.97	3.97	3.97
Ground clearance	m	0.37	0.37	0.37	0.37
Unladen weight (with forks)	kg	9 700	10 900	11 000	11 200
Max speed (may vary according to the regulations in force)	km/h	25	25	25 or 35	25 or 35

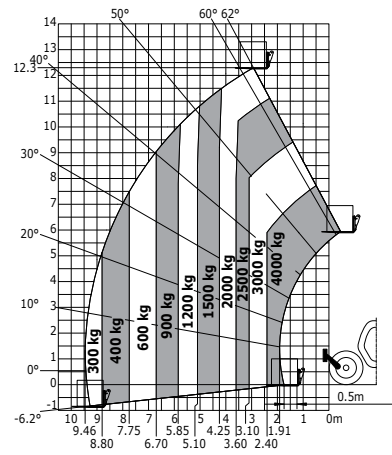
* A: Access (platform ready)



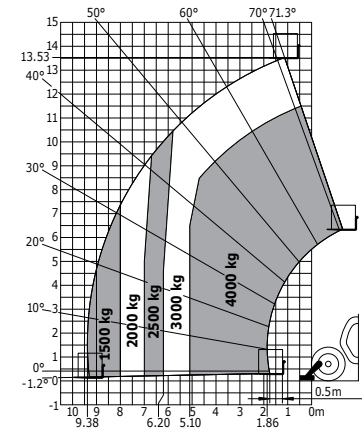
MT 1435 Easy
on tyres with tilt correction system



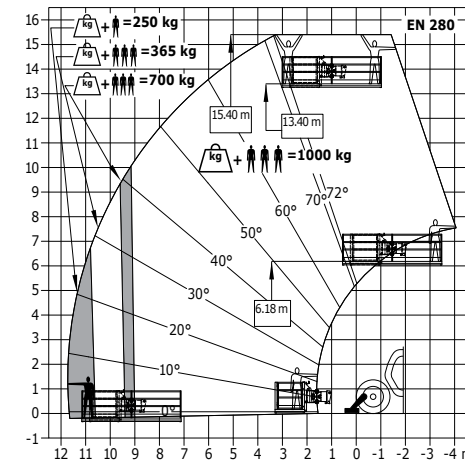
MT 1435 Easy
on stabilizers



MT 1440/1440 Easy
on tyres with tilt correction system



MT 1440/1440 Easy
on stabilizers

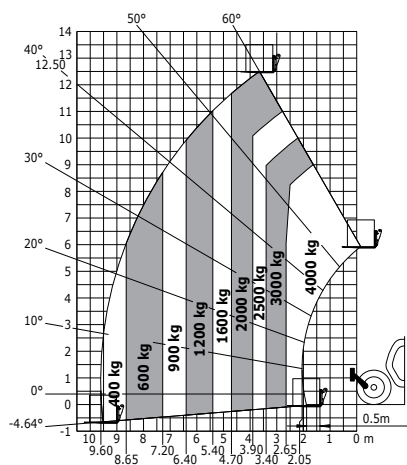


MT 1440 A/HA
platform

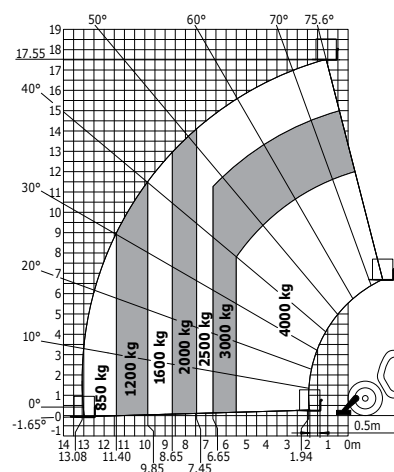


MT 1840 / 1840 EASY

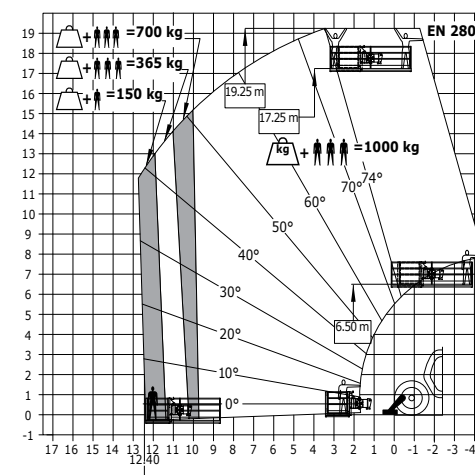
		MT 1840 Easy	MT 1840	MT 1840 A / HA
Transmission	H/C	Torque converter	Torque converter	A: Torque converter / HA: Hydrostatic
Engine power	hp (kW)	75 (55.4)	100 (75)	100 (75)
Engine brand	-	Deutz	Perkins	Perkins
Max. capacity	kg	4 000	4 000	4 000
Max. lifting height	m	17.55	17.55	17.55
Max. outreach	m	13.08	13.08	13.08
Stabilizers		Yes	Yes	Yes
Dimensions with the fork carriage (LxWxH)	m	6.27 x 2.42 x 2.50	6.27 x 2.42 x 2.50	6.27 x 2.42 x 2.50
Turning radius (cutter wheels)	m	4.01	4.01	4.01
Ground clearance	m	0.42	0.42	0.42
Unladen weight (with forks)	kg	11 700	11 800	12 000
Max speed (may vary according to the regulations in force)	km/h	25	25 or 35	25 or 35



MT 1840 / MT 1840 EASY
on tyres with tilt correction system



MT 1840 / MT 1840 EASY
on stabilizers



MT 1840 A/HA
platform



A
selection
of Manitou
attachments

100 references

In addition to standard equipment with forks, Manitou also offers you a choice of attachments from among more than 100 references, a range that we are constantly developing.

Simple and rapid coupling

In order to save you time, the coupling system for Manitou attachments (TS: simple fork carriage with manual or hydraulic locking) is reliable, quick and easy to use. Attach and detach your attachments with ease.



CBR - Rehandling Bucket

Bucket suitable for handling heavy materials (max. 2100 kg/m³). Reinforced structure for greater durability. Available as an option with a 500 HB reversible bolted wear blade (LDR).



TFF - Floating fork carriage

This floating fork carriage makes it possible to pick up and handle palletized loads on uneven terrain. Available in different widths and capacities, this carriage is suitable for all applications.



CAF - Floating fork carriage spreader bar

This positioner is used to vary the distance between the forks and the cab, enabling quick and easy adaptation to pallet dimensions. For increased efficiency, lateral movement is available as an option.



P - Jib

Tubular extension jib, offering the perfect compromise between front outreach and lightness. This is the essential tool for placing suspended loads. 600 to 2,000 kg capacities available in the offer.



JE - extendable jib

Simple and safe solution for handling and placing roof trusses (alone or in batches).



PC - jib hook

A simple and effective tool for handling suspended loads, it maintains the nominal capacity of the MTs.



HBB - Big Bag Handler

Handles up to four big bags safely for increased efficiency in loading and unloading operations.



SCC - 2-in-1 Sweeper

Sweep, collect or make swathes: you no longer need to choose! The SCC Sweeper Cleaner offers you a competitive solution and optimal results. Attachments designed for tasks of light or medium intensive work

MORE ATTACHMENTS AT:
WWW.MANITOU.COM



MANITOU IS HERE TO HELP!

To enable you to benefit from an operational forklift all year long and to increase its durability, Manitou offers a wide range of products and services that are suited to all your needs.



Expertise and service on a daily basis

Your Manitou dealer guarantees a complete range of services at all stages of your machine's life and is there to provide support and meet your needs, always looking to provide you with the best solution.



1,400 dealers at your service

The Manitou network is present in more than 120 countries. In total, there are more than 2,000 expert technicians who are specially trained in Manitou technology and who are at your service to assist with purchasing or after-sales.



- Dealership network**
A network of experts at your service, whatever your field (agriculture, construction, industry).
- Maintenance contracts**
Three levels of contracts are available (Initial, Advanced, Excellence) which are tailored to your specific needs, so you can rest easy and leave maintenance to your official Manitou dealer.
- Financing**
To hire or to purchase? Whatever your business, simplify your investment with Manitou Finance financing or leasing solutions.
- Warranty extension**
With Maniplus, you can extend the cover of your Manitou warranty for up to 5 years. Use your equipment with peace of mind.
- The connected solution**
Easy Manager is a simple and flexible tool for managing, optimising and securing the operational monitoring of your machines.
- Second-hand equipment**
In the market for second-hand equipment? The Manitou network is here to help. Just visit your dealer or used.manitou.com, our reference site for second-hand Manitou machines.
- Original spare parts**
With more than 70,000 products available, your Manitou dealer provides expertise and service on a daily basis!

Your dealer:



Registered office

B.P. 249 - 430 rue de l'Aubinière - 44158 Ancenis Cedex - France

Tel.: 0033 (0)2 40 09 10 11 - Fax: 00 33 (0)2 40 09 10 97

This publication provides a description of the configuration versions and options for Manitou products, which may differ according to the equipment. The equipment presented in this brochure may be part of a series, optional or unavailable, depending on the versions. Manitou reserves the right, at any time and without notice, to amend the specifications described and presented. The specifications provided are not binding on the manufacturer. For more details, please contact your Manitou agent. This is not a contractually binding document. The presentation of the products is not contractually binding. The list of specifications is not exhaustive. The logos, as well as the visual identity of the company, are owned by Manitou and cannot be used without authorisation. All rights reserved. The photos and diagrams contained in this brochure are only provided for consultation and information purposes. Manitou BF SA - Limited company with board of directors - Share capital: 39,547,824 euros - 857 802 508 RCS Nantes