

MRT 2550 Privilege Plus

Rotating Telehandlers

Brochures ▾

Contact

Photos ()

Technical data sheet ()

Attachments ()

Benefits ()

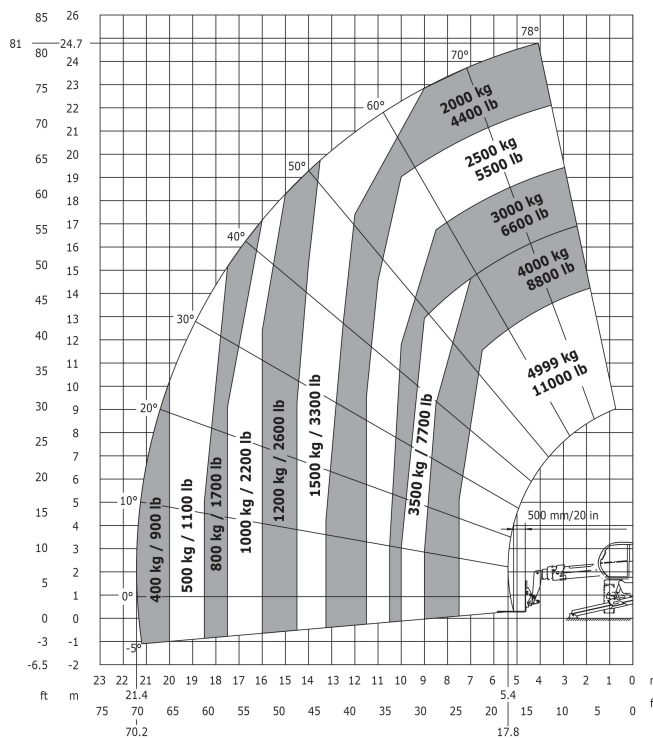
Services ()

Are you looking for reliable and versatile material handling equipment? Manitou has designed the MRT 2550 Privilege Plus rotating telehandler with you in mind. This machine handles loads of up to 4999 kg and performs operations at heights up to 25 m. It offers great versatility in daily tasks, a true 3-in-1 machine (telehandler + crane + platform).

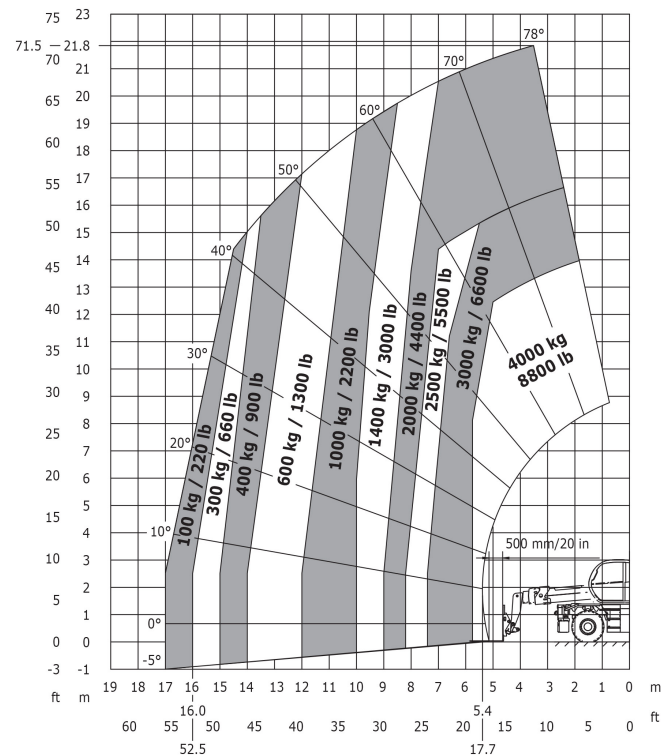
The boom, consisting of 4 elements, combined with the 360° rotation of the turret allows you to perform various operations without moving the equipment. The attachment recognition system E-reco lets you save time by specifying the proper work envelope and enhances security since it automatically detects any overload.

Performances

Load chart (EN1459-B) with stabilisers :



Load chart (EN1459-B) :



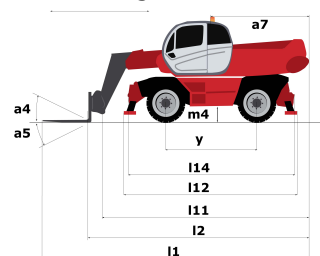
Lifting height	24.7 m	81'0"
Lifting capacity	4999 kg	11020.91 lb
Max reach	21.4 m	70'3"
Drawbar pull	8700 dan	19558 lbf
Overhang	3.18 m	10'5"
Moving speed	40 kmh	24.85 mph

Dimensions

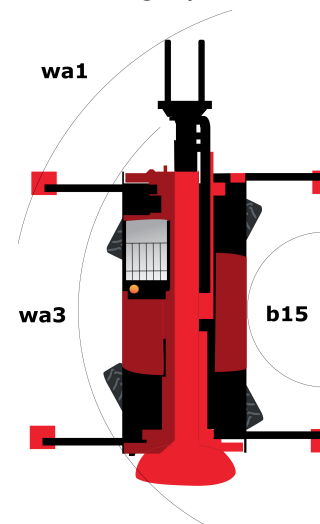
Length (up to the back of the fork)	7.84 m	25'9"
Total length (fork included)	9.03 m	26'5"

Wheelbase length	3.05 m	10'0"
Width	2.49 m	8'2"
Overall width (stabilizers lowered)	5.55 m	18'3"
Height	3.05 m	10'0"
Weight (unladen)	18900 kg	41667.37 lb
Turning radius	5.23 m	17'2"
Ground clearance	0.35 m	1'2"

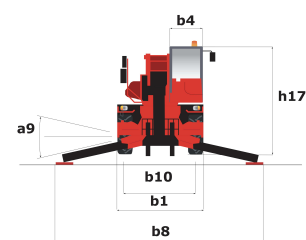
Scale drawing (side view) :



Scale drawing (top view) :



Scale drawing (front/rear view) :



Engine / Battery

Energy	Diesel	
Engine brand	Mercedes	
Engine type	Stage IV / Tier 4 Final	
Engine manufacturer type	OM 934 E4-5	
Power	156 ch	156 hp
Power	115Â KW	
Max. Torque @ Rotation	675 Nm @ 1500 tr/min	
Number of cylinders	4	
Total capacity	5130 cm3	313 in3
Injection	Direct	
Cooling	Water	
Voltage	24Â V	
Amperage	120Â Ah	
Transmission type	Hydrostatic	

Hydraulic

Pressure	275Â bars	
Hydraulic oil tank volume	225 l	59.44 gal

Other specifications

Standard tyres	Pneumatic	
Number of wheels (front/rear)	2/2	

Number of drive wheels (front/rear)	2/2
Number of steering wheels (front/rear)	2/2
Number of braking wheels (front/rear)	2/0
Tyre dimensions (front)	445/65 R22.5
Tyre dimensions (rear)	445/65 R22.5
Parking brake	Automatic negative handbrake
Driving position noise levels	77.4Â dB
Environmental noise levels	107Â dB
Vibrations affecting hands/arms	<2.5Â m/s

Check out our used equipment ads



Find Used Equipment

(<http://used.manitou.com>)

Equipment

- Telehandlers
(/en/s/U89ybCYAACoAdl8Q)
- Rotating Telehandlers
(/en/s/U8901SYAACoAdmRf)
- Masted Forklift Trucks
(/en/s/U8912iYAACYAdmZw)

Attachments

- Fork Carriages
(/en/s/U_NM2CQAACoA38rz)
- Buckets
(/en/s/U89vhiYAACcAdlkV)
- Clamps
(/en/s/U89wkCYAACoAdls_)

Services

- Financing
(/en/ss/UrwyoAEAAAC3kpbWC)
- Warranty Extension
(/en/ss/UrwywAEAAEDkpbWG)
- Maintenance Contract
(/en/ss/U85sySQAACcAGcyd)

- Infrastructure Maintenance
(/en/m/U80OsSgAAcKAbDWX#U9j40SQAACoAq4a9)
- Warehousing
(/en/m/U80OsSgAAcKAbDWX#U9j3GSQAACQAq4LR)
- Printing Companies & Paper Mills
(/en/m/U80OsSgAAcKAbDWX#U9j4MSQAACkAq4VK)
- Ports
(/en/m/U80OsSgAAcKAbDWX#U9j3wiQAACQAq4RS)
- Airports
(/en/m/U80OsSgAAcKAbDWX#U9j3oiQAACQAq4QD)
- Events
(/en/m/U80OsSgAAcKAbDWX#U9j4vyQAACcAq4aU)
- Wood
(/en/m/U80OsSgAAcKAbDWX#U9j3YSQAACkAq4Nv)
- Food-Processing
(/en/m/U80OsSgAAcKAbDWX#U9j4qSQAACcAq4Zb)



Subscribe to Newsletter



Find a dealer

(http://www.facebook.com/manitou) (http://www.youtube.com/user/manitouTV) (http://www.manitou.com/en/p/WK_xxyIAACQABx31#dt)

(http://www.youtube.com/user/manitouTV)

Careers (https://careers.manitou-group.com/) | Legal information (/en/ln) | Sitemap (/en/sm) | Design & Data (http://design.manitou.com) | spare parts Manitou (https://www.manitou-parts.com)