

SHORT RADIUS HYDRAULIC EXCAVATORS CX75SR / CX135SR / CX225SR

CASE

CONSTRUCTION

CX75SR

ENGINE

Latest generation engine for "Low exhaust emissions" Tier 3
 Model _____ ISUZU AU-4LE2X
 Type _____ Water-cooled, 4-cycle diesel, 4-cylinder in line, direct injection,
 Turbocharger with air cooled intercooler
 Number of cylinders _____ 4
 Bore/Stroke _____ 85 x 96 mm
 Horsepower 80/1269/EEC _____ 54 hp (40 kW) @ 2000 rpm
 Maximum torque 80/1269/EEC _____ 210 Nm @ 1500 rpm

HYDRAULIC SYSTEM

Max output _____ 2 x 68 l/min @ 2000 rpm
 2 variable displacement axial piston pumps
 Attachment _____ 29.4 MPa
 Swing circuit _____ 22.6 MPa
 Travel _____ 29.4 MPa

SWING

Max upperstructure swing speed _____ 9.5 rpm

TRAVEL

Travel motor _____ Variable displacement axial piston motor
 Max travel speed _____ 5.1 km/h
 Low travel speed _____ 3.3 km/h
 Gradeability _____ 70% (35°)
 Drawbar pull _____ 59 kN

OPERATING WEIGHT

CX75SR WITH DOZER BLADE

*Operating weight (kg) with 75 kg
 operator, lubricants, full fuel tank,
 standard bucket*

MONOBOOM

	1.71 m	2.12 m
450 mm grouser shoes	7950 kg	7990 kg
600 mm grouser shoes	8100 kg	8150 kg

ELECTRICAL SYSTEM

Circuit _____ 24V
 Batteries _____ 12V 64Ah/5HR x 2
 Waterproof type connector _____
 Alternator _____ 50 Amp

UNDERCARRIAGE

Number of carriers rollers (each side) _____ 1
 Number of track rollers (each side) _____ 5
 Number of shoes each side _____ 39
 Type of shoe _____ Triple grouser shoe

CIRCUIT AND COMPONENT CAPACITIES

Fuel tank _____ 100 l
 Hydraulic system _____ 97.3 l
 Engine cooling system _____ 10.2 l

NOISE LEVEL

Exterior noise _____ 97dB(A) as per ISO6395

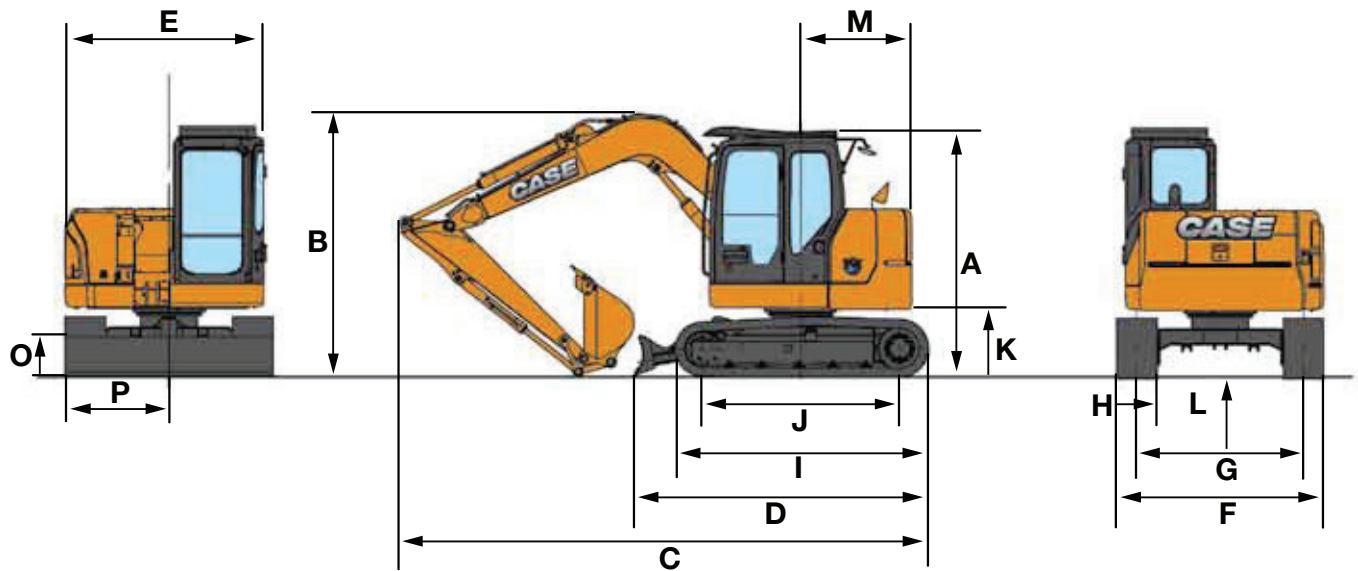
BUCKET SIZE AND CAPACITY

CAPACITY (l)	WIDTH (mm)	WEIGHT (kg)
110	370	136
170	480	161
220	600	178
280	730	204
340	865	227

SHORT RADIOUS HYDRAULIC EXCAVATORS

GENERAL DIMENSIONS

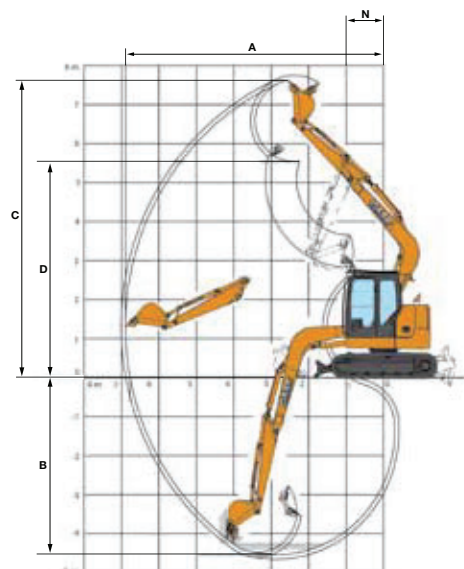
CX75SR



		Arm 1.71 m	Arm 2.12 m	
A	Cab height	mm	2700	2700
B	Overall height (with attachment)	mm	2700	2950
C	Overall length (with attachment)	mm	5915	5910
D	Overall length (without attachment)	mm	3280	3280
E	Upperstructure overall width	mm	2225	2225
F	Undercarriage overall width (450 mm shoes)	mm	2320	2320
G	Track gauge	mm	1870	1870
I	Crawler overall length	mm	2845	2845
J	Wheel base	mm	2210	2210
K	Clearance height under upperstructure	mm	745	745
L	Minimum ground clearance	mm	360	360
M	Swing (rear end) radius	mm	1235	1235

PERFORMANCE DATA

		Arm 1.71 m	Arm 2.12 m	
	Digging force	kN	38.3	34
	Breakout force	kN	56.9	56.9
A	Maximum reach	mm	6520	6900
	Maximum reach at GRP	mm	6390	6770
B	Max. digging depth	mm	4140	4540
C	Max. digging height	mm	7330	7620
D	Max. dumping height	mm	5250	5540
	Boom length	mm	3870	3870
	Bucket radius	mm	1050	1050
	Bucket wrist action		177°	177°
	Boom offset (L.H.)		-	-
	Boom offset (R.H.)		-	-



SPECIFICATIONS

CX135SR

ENGINE

Latest generation engine for "Low exhaust emissions" Tier 3
 Model _____ ISUZU AJ-4JJ1X
 Type _____ Water-cooled, 4-cycle diesel, 4-cylinder in line, direct injection (electric control), Turbocharger with air cooled intercooler
 Number of cylinders _____ 4
 Bore/Stroke _____ 95.4 x 104.9 mm
 Horsepower 80/1269/EEC _____ 95 hp (70.9 kW) @ 2000 rpm
 Maximum torque 80/1269/EEC _____ 359 Nm @ 1600 rpm

HYDRAULIC SYSTEM

Max output _____ 2 x 117 l/min @ 2000 rpm
 2 variable displacement axial piston pumps with regulating system
 Attachment _____ 34.3 MPa
 Swing circuit _____ 28.0 MPa
 Travel _____ 34.3 MPa

SWING

Max upperstructure swing speed _____ 10.0 rpm

TRAVEL

Travel motor _____ Variable displacement axial piston motor
 Max travel speed _____ 5.0 km/h
 Low travel speed _____ 3.1 km/h
 Gradeability _____ 70% (35°)
 Drawbar pull _____ 114 kN

OPERATING WEIGHT*

(* operating weight (kg) with 75 kg operator, lubricants, full fuel tank, standard bucket

CX135SR	2.39 m		2.85 m	
	500 mm grouser shoes	13440 kg	13520 kg	
600 mm grouser shoes	13600 kg	13680 kg		

ELECTRICAL SYSTEM

Circuit _____ 24V
 Batteries _____ 12V 72Ah/5HR x 2
 Waterproof type connector _____
 Alternator _____ 50 Amp

UNDERCARRIAGE

Number of carriers rollers (each side) _____ 1
 Number of track rollers (each side) _____ 6
 Number of shoes each side _____ 43
 Type of shoe _____ Triple grouser shoe

CIRCUIT AND COMPONENT CAPACITIES

Fuel tank _____ 165 l
 Hydraulic system _____ 130 l
 Engine cooling system _____ 14 l

NOISE LEVEL

Exterior noise _____ 99 dB(A) as per ISO6395

BUCKET SIZE AND CAPACITY

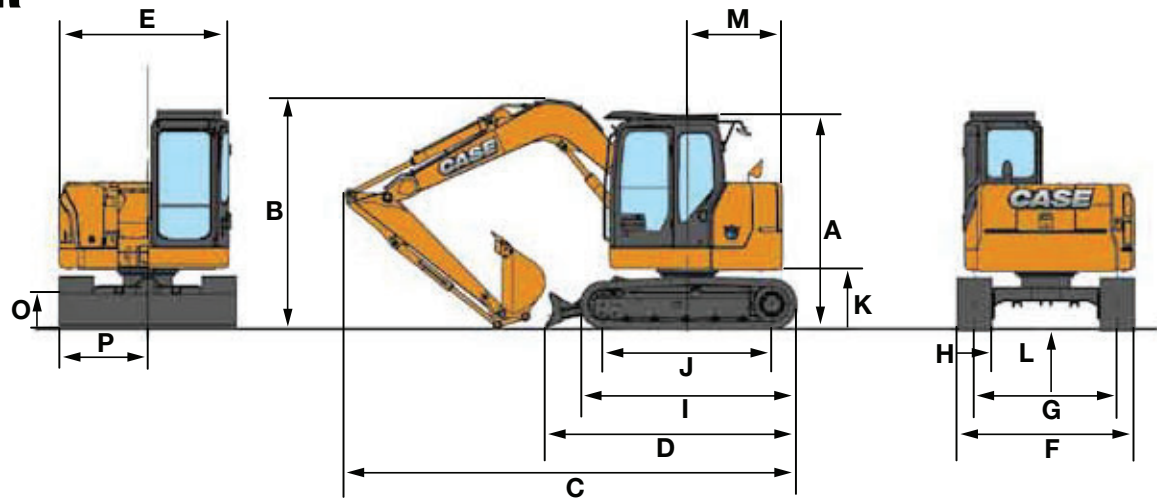
CAPACITY (l)	WIDTH (mm)	WEIGHT (kg)
500		

CX135SR WITH DOZER BLADE		2.39 m
500 mm grouser shoes		13440 kg
600 mm grouser shoes		13600 kg

SHORT RADIOUS HYDRAULIC EXCAVATORS

GENERAL DIMENSIONS

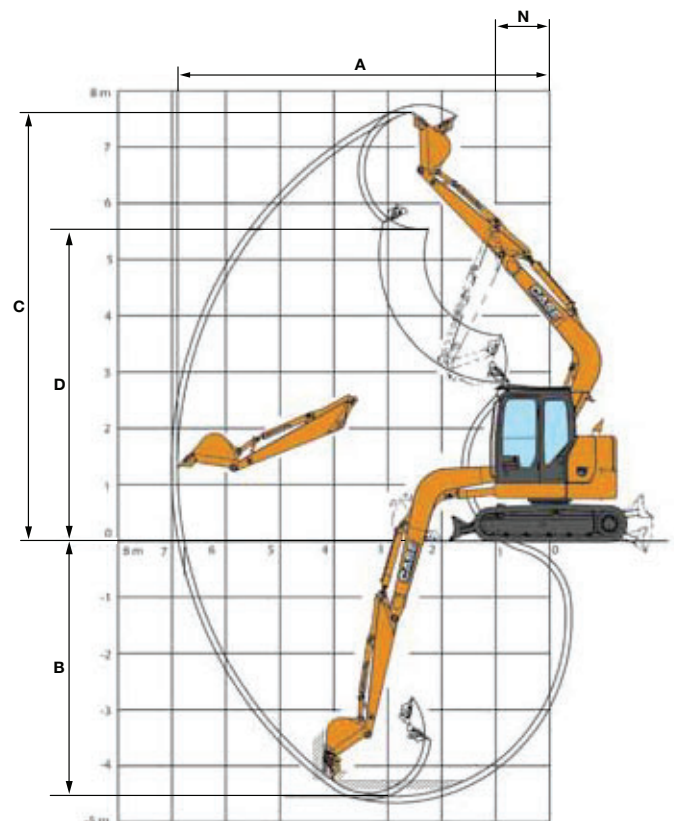
CX135SR



		Arm 2.40 m	Arm 2.85 m	Arm 2.40 m w/dozer blade	Arm 2.85 m w/dozer blade
A	Cab height	mm	2750	2750	2750
B	Overall height (with attachment)	mm	2750	2750	2750
C	Overall length (with attachment)	mm	7240	7230	7755
D	Overall length (without attachment)	mm	3510	3510	4020
E	Upperstructure overall width	mm	2415	2415	2415
F	Undercarriage overall width (600 mm shoes)	mm	2590	2590	2590
G	Track gauge	mm	1990	1990	1990
I	Crawler overall length	mm	3510	3510	3510
J	Wheel base	mm	2785	2785	2785
K	Clearance height under upperstructure	mm	880	880	880
L	Minimum ground clearance	mm	435	435	435
M	Swing (rear end) radius	mm	1480	1480	1480

		Arm 2.40 m	Arm 2.85 m
	Digging force	kN	63.9
	Breakout force	kN	89.7
A	Maximum reach	mm	8205
	Maximum reach at GRP	mm	8065
B	Max. digging depth	mm	5470
C	Max. digging height	mm	9305
D	Max. dumping height	mm	6905
	Boom length	mm	4730
	Bucket radius	mm	1200
	Bucket wrist action		178°

		Arm 2.40 m w/dozer blade	Arm 2.85 m w/dozer blade
	Digging force	kN	63.9
	Breakout force	kN	89.7
A	Maximum reach	mm	8205
	Maximum reach at GRP	mm	8065
B	Max. digging depth	mm	5470
C	Max. digging height	mm	9305
D	Max. dumping height	mm	6905
	Boom length	mm	4730
	Bucket radius	mm	1200
	Bucket wrist action		178°



SPECIFICATIONS

CX225SR

ENGINE

Latest generation engine for "Low exhaust emissions" Tier 3
 Model _____ ISUZU AJ-4HK1X
 Type _____ Water-cooled, 4-cycle diesel, 4-cylinder in line, direct injection (electric control), Turbocharger with air cooled intercooler
 Number of cylinders _____ 4
 Bore/Stroke _____ 115 x 125 mm
 Horsepower 80/1269/EEC _____ 153 hp (144.4 kW) @ 1800 rpm
 Maximum torque 80/1269/EEC _____ 616 Nm @ 1500 rpm

HYDRAULIC SYSTEM

Max output _____ 2 x 190 l/min @ 1800 rpm
 2 variable displacement axial piston pumps with regulating system
 Attachment _____ 34.3 MPa
 Swing circuit _____ 30.4 MPa
 Travel _____ 34.3 MPa

SWING

Max upperstructure swing speed _____ 10.6 rpm

TRAVEL

Travel motor _____ Variable displacement axial piston motor
 Max travel speed _____ 5.0 km/h
 Low travel speed _____ 3.1 km/h
 Gradeability _____ 70% (35°)
 Drawbar pull _____ 187 kN

BUCKET SIZE AND CAPACITY

HEAVY DUTY

CAPACITY (l)	WIDTH (mm)	WEIGHT (kg)
450	600	580
600	750	634
760	900	710
840	1000	747
920	1100	783
1090	1200	841
1250	1350	911
1420	1500	988

ELECTRICAL SYSTEM

Circuit _____ 24V
 Batteries _____ 12V 92 Ah/5HR
 Waterproof type connector _____
 Alternator _____ 50 Amp

UNDERCARRIAGE

Number of carriers rollers (each side) _____ 1
 Number of track rollers (each side) _____ 8
 Number of shoes each side _____ 49
 Type of shoe _____ Triple grouser shoe

CIRCUIT AND COMPONENT CAPACITIES

Fuel tank _____ 265 l
 Hydraulic system _____ 205 l
 Engine cooling system _____ 25.6 l

NOISE LEVEL

Exterior noise _____ 102 dB(A) as per ISO6395

ROCK BUCKET

CAPACITY (l)	WIDTH (mm)	WEIGHT (kg)
450	600	601
600	750	655
760	900	730
840	1000	766
920	1100	802
1090	1200	858
1250	1350	928

SHORT RADIOUS HYDRAULIC EXCAVATORS

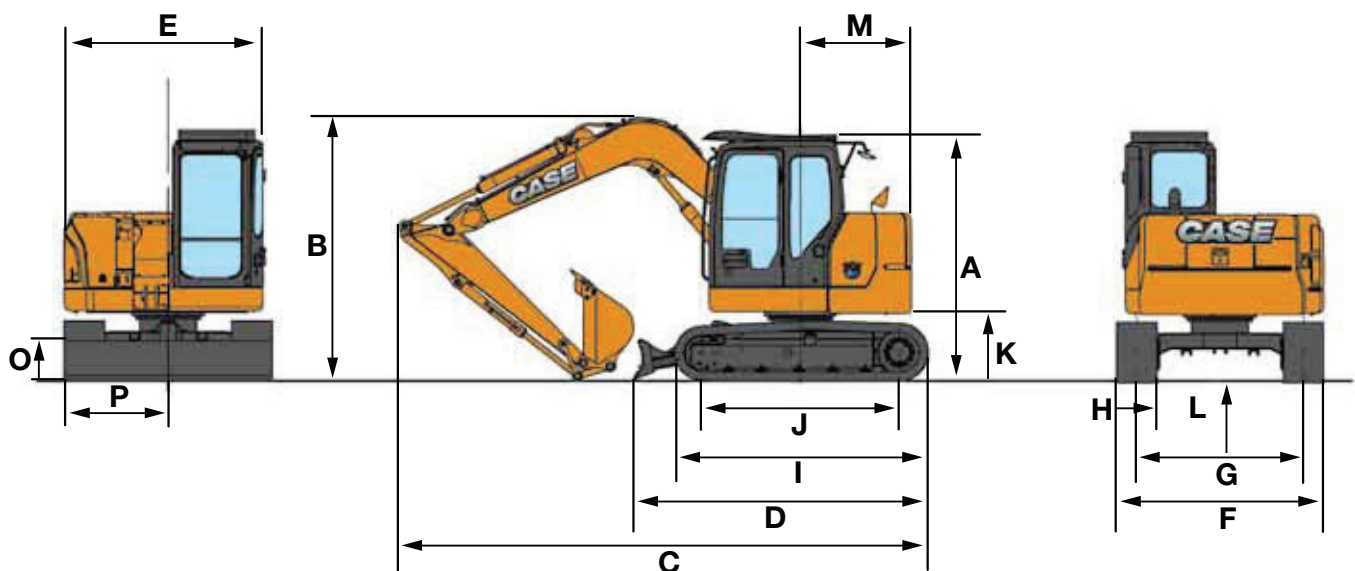
OPERATING WEIGHT*

CX225SR LC	2.40 m		3.0 m	
	600 mm grouser shoes	23500	23590	
	700 mm grouser shoes	23790	23870	
	800 mm grouser shoes	24070	24160	

CX225SR WITH BLADE	2.40 m		3.0 m	
	600 mm grouser shoes	24400	24490	
	700 mm grouser shoes	24690	24770	
	800 mm grouser shoes	24970	25060	

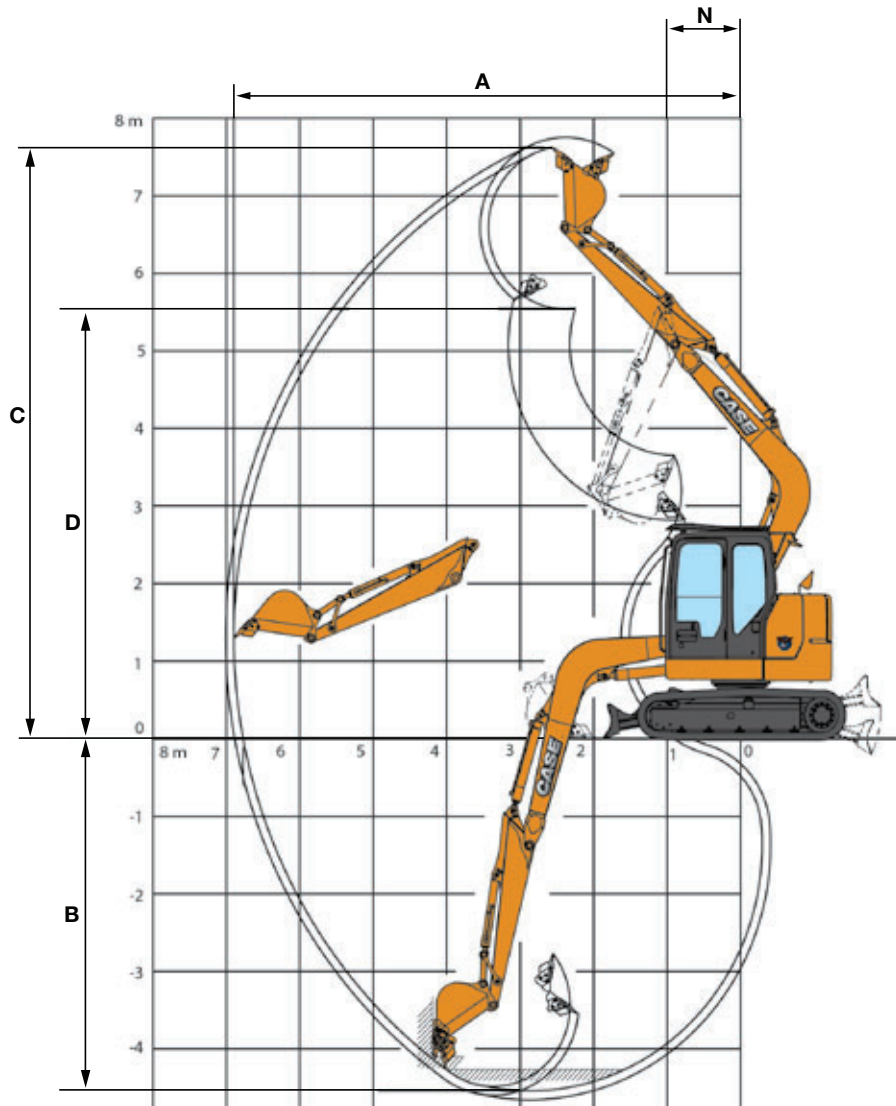
(* operating weight (kg) with 75 kg operator, lubricants, full fuel tank, standard bucket

GENERAL DIMENSIONS



			Arm 2.40 m monoboomb	Arm 3.00 m monoboomb	Arm 2.40 m monoboomb w/dozer blade	Arm 3.00 m monoboomb w/dozer blade
A	Cab height	mm	2970	2970	2970	2970
B	Overall height (with attachment)	mm	3140	2970	3140	2970
C	Overall length (with attachment)	mm	8930	8850	9330	9250
D	Overall length (without attachment)	mm	4460	4460	4720	4720
E	Upperstructure overall width	mm	2800	2800	2800	2800
F	Undercarriage overall width (600 mm shoes)	mm	2990	2990	2800	2800
G	Track gauge	mm	2390	2390	2200	2200
I	Crawler overall length	mm	4460	4460	4180	4180
J	Wheel base	mm	3660	3660	3370	3370
K	Clearance height under upperstructure	mm	1020	1020	1020	1020
L	Minimum ground clearance	mm	460	460	460	460
M	Swing (rear end) radius	mm	1720	1720	1720	1720

PERFORMANCE



		Arm 2.40 m monoboom	Arm 3.00 m monoboom	Arm 2.40 m monoboom w/dozer blade	Arm 3.00 m monoboom w/dozer blade
	Digging force with powerboost	kN	126	104	126
	Breakout force with powerboost	kN	141	141	141
A	Maximum reach	mm	9370	9910	9370
	Maximum reach at GRP	mm	9180	9730	9180
B	Max. digging depth	mm	6100	6700	6100
C	Max. digging height	mm	10520	10910	10520
D	Max. dumping height	mm	7630	8020	7630
	Boom length	mm	5700	5700	5700
	Bucket radius	mm	1450	1450	1450
	Bucket wrist action		177°	177°	177°

SHORT RADIOUS HYDRAULIC EXCAVATORS

CX75SR

With 3.87 m standard monoboomb

values are expressed in kilos

Front Side	REACH									
	2.0 m		3.0 m		4.0 m		5.0 m		At max reach	

Standard arm 1.71 m, 0.28 m³ (210 kg) bucket, 450 mm shoes, max reach 5.52 m

5.0 m			1600*	1600*	1670*	1670*			1670*	1670*	4.07
4.0 m			1770*	1770*	1690*	1690*			1660	1340	4.8
3.0 m	2980*	2980*	2220*	2220*	1890*	1780	1520	1220	1400	1120	5.25
2.0 m			2850*	2660	1890	1780	1480	1170	1270	1000	5.47
1.0 m			2820	2460	2010	1590	1420	1120	1220	960	5.51
0 m	2720*	2720*	3040	2340	1940	1380	1380	1080	1250	970	5.36
-1.0 m	4250*	4250*	3000	2300	1900	1480	1370	1070	1360	1060	5.01
-2.0 m	4540*	4540*	3010	2310	1680	1480			1650	1290	4.4
-3.0 m	3500*	3500*	2530*	2380					2190*	1950	3.41

Standard arm 1.71 m, blade down, 0.28 m³ (210 kg) bucket, 450 mm shoes, max reach 5.52 m

5.0 m			1600*	1600*	1670*	1670*			1670*	1670*	4.07
4.0 m			1770*	1770*	1690*	1690*			1670*	1340	4.8
3.0 m	2980*	2980*	2220*	2220*	1890*	1780	1720*	1220	1700*	1120	5.25
2.0 m			2850*	2660	2180*	1680	1850*	1170	1760*	1000	5.47
1.0 m			3380*	2460	2450*	1590	1980*	1120	1820*	960	5.51
0 m	2720*	2720*	3610*	2340	2620*	1520	2060*	1080	1910*	970	5.36
-1.0 m	4250*	4250*	3550*	2300	2620*	1480	2010*	1070	2000*	1060	5.01
-2.0 m	4540*	4540*	3240*	2310	2390*	1480			2110*	1290	4.4
-3.0 m	3500*	3500*	2530*	2380					2190*	1950	3.41

Long arm 2.12 m, 0.22 m³ (192 kg) bucket, 450 mm shoes, max reach 5.92 m

5.0 m					1420*	1420*			1490*	1490*	4.59
4.0 m					1480*	1480*	1490*	1270	1440	1160	5.25
3.0 m			1910*	1910*	1700*	1700*	1540	1240	1240	980	5.66
2.0 m			2550*	2550*	2000*	1710	1490	1180	1130	890	5.87
1.0 m			3160*	2500	2030	1600	1430	1130	1090	850	5.91
0 m	2810*	2810*	3050	2350	1940	1520	1380	1080	1100	860	5.77
-1.0 m	3850*	3850*	2980	2280	1890	1470	1350	1050	1190	920	5.44
-2.0 m	4910*	4750	2970	2270	1870	1450			1390	1080	4.89
-3.0 m	4050*	4050*	2860*	2310	1900	1480			1890	1470	4.03

Long arm 2.12 m, blade down, 0.22 m³ (192 kg) bucket, 450 mm shoes, max reach 5.92 m

5.0 m					1420*	1420*			1490*	1490*	4.59
4.0 m					1480*	1480*	1490*	1270	1480*	1160	5.25
3.0 m			1910*	1910*	1700*	1700*	1580*	1240	1510*	980	5.66
2.0 m			2550*	2550*	2000*	1710	1730*	1180	1590*	890	5.87
1.0 m			3160*	2500	2320*	1600	1890*	1130	1660*	850	5.91
0 m	2810*	2810*	3520*	2350	2540*	1520	2010*	1080	1730*	860	5.77
-1.0 m	3850*	3850*	3580*	2280	2610*	1470	2030*	1050	1820*	920	5.44
-2.0 m	4910*	4750	3380*	2270	2490*	1450			1930*	1080	4.89
-3.0 m	4050*	4050*	2860*	2310	2050*	1480			2030*	1470	4.03

* Hydraulic capacity 87%

CX135SR

With 3.87 m monoboam

Front Side	REACH												
	2.0 m		3.0 m		4.0 m		5.0 m		6.0 m		7.0 m		At max reach

Standard chassis, without dozer blade, dipper 2.40 m, 0.5 m³ (360 kg) bucket, 600 mm shoes, max reach 7.12 m

6.0 m					3140*	3140*	2440*	2440*					1910*	1910*	5.33
5.0 m					3520*	3520*	3200*	2790	1960*	1960*			1450*	1450*	6.19
4.0 m			4390*	4390*	4310*	3950	3860	2710	3820	1970			1450*	1450*	6.66
3.0 m	10150*	10150*	6700*	6000	5260*	3730	3730	2590	2750	1900			1480*	1450	6.96
2.0 m			8310*	5450	5170	3470	3580	2450	2670	1820	1970*	1390	1560*	1360	7.1
1.0 m			8110	5040	4920	3560	3450	2320	2580	1750	2020	1350	1700*	1320	7.1
0 m	3430*	3430*	7870	4850	4760	3110	3340	2230	2520	1690			1910*	1340	6.95
-1.0 m	5110*	5110*	7790	4780	4670	3030	3280	2170	2480	1650			2130	1410	6.95
-2.0 m	6980*	6980*	7800	4790	4650	3010	3260	2150	2480	1650			2370	1580	6.18
-3.0 m	8950*	8950*	6440*	4860	4690	3050	3290	2180					2870	1920	5.45
-4.0 m	6160*	6160*	5010*	5000	3880*	3150							3310*	2690	4.46

Standard chassis, without dozer blade, monoboam, dipper 2.85 m, 0.37 m³ (340 kg) bucket, 600 mm shoes, max reach 7.47 m

6.0 m					2890*	2890*	2640*	2640*					1650*	1650*	4.95
5.0 m					3050*	3050*	2990*	2860	2460*	2060			1600*	1600*	6.59
4.0 m					3510*	3510*	3440*	2770	2870	2010	1690*	1490	1600*	1480	7.04
3.0 m	7180*	7180*	5660*	5660*	4790*	3830	3790	2640	2790	1930	2130	1460	1640*	1340	7.32
2.0 m			7570*	7570*	5270	3560	3630	2490	2690	1850	2080	1410	1730*	1250	7.45
1.0 m			8260	8260	4990	3310	3480	2350	2600	1760	2020	1360	1820	1210	7.45
0 m	3770*	3770*	7910	7910	4780	3130	3350	2240	2520	1690	1980	1310	1850	1220	7.31
-1.0 m	4990*	4990*	7760	7760	4660	3020	3270	2160	2470	1640	1950	1290	1940	1280	7.03
-2.0 m	6530*	6530*	7720	7720	4610	2970	3230	2120	2440	1610			2130	1410	6.58
-3.0 m	8460*	8460*	7630*	7630*	4620	2980	3230	2130					2510	1660	5.93
-4.0 m	7840*	7840*	6020*	6020*	4690*	3050							3310	2190	5.0
-5.0 m			3460*	3460*									2900*	2900*	3.57

CX225SR

Front Side	REACH														
	2.0 m		3.0 m		4.0 m		5.0 m		6.0 m		7.0 m		8.0 m		At max reach

LC chassis, monoboam, dipper 2.40 m, 1.0 m³ bucket, 600 mm shoes, max reach at 8.02 m

7.0 m							5160*	5160*						5100*	5100*	5.58
6.0 m					5730*	5730*	5360*	5360*	5100*	4750				3750*	3720	6.86
5.0 m			7780*	7780*	6570*	6570*	5830*	5830*	5350*	4650	5030*	3550		3770*	3220	7.38
4.0 m			10240*	10240*	7790*	7790*	6510*	6040	5730*	4490	5220*	3470		3870*	2900	7.73
3.0 m			10130*	10130*	9170*	8110	7280*	5740	6180*	4310	5480*	3360		4050*	2710	7.94
2.0 m			10320*	7610	7980*	5450	6610*	4140	5540	3250	4470*	2610		4330*	2600	8.02
1.0 m					10930*	7290	8460*	5230	6930	3990	5440	3160		440	2570	7.98
0 m			7140*	7140*	11010*	7130	8650*	5090	6810	3890	5360	3090		4550	2620	7.8
-1.0 m			9950*	9950*	10680*	7090	8540*	5020	6740	3830	5320	3050		4810	2770	7.49
-2.0 m	9660*	9660*	12470*	11760	10010*	7110	8120*	5010	6660*	3820	5340	3060		5310	3050	7.02
-3.0 m	13000*	13000*	10980*	10980*	8950*	7200	7310*	5070	5920*	3870				5410*	3560	6.37
-4.0 m	10690*	10690*	8890*	8890*	7350*	7350*	5930*	5210						5260*	4590	5.45
-5.0 m					4740*	4740*								4600*	4600*	4.11

* Hydraulic capacity 87%

SHORT RADIOUS HYDRAULIC EXCAVATORS

CX225SR

Front Side	REACH													
	2.0 m	3.0 m	4.0 m	5.0 m	6.0 m	7.0 m	8.0 m	At max reach			m			

STD. chassis, monoboom, dipper 2.40 m, 1.0 m³ (698 kg) bucket, 600 mm shoes, max reach at 8.02 m

7.0 m						5160*	5160*							5100*	5100*	5.58
6.0 m				5730*	5730*	5360*	5360*	5100*	4490					3750*	3520	6.86
5.0 m			7780*	7780*	6570*	6570*	5830*	5830*	5350*	4390	5030*	3350		3770*	3040	7.38
4.0 m			10240*	10240*	7790*	7790*	6510*	5680	5730*	4230	4980	3270		3870*	2740	7.73
3.0 m			10130*	10130*	9170*	7550	7280*	5380	6180*	4060	4860	3160		3940	2550	7.94
2.0 m					10320*	1060	7980*	5100	6060	3890	4750	3060		3830	2450	8.02
1.0 m					10930*	6750	7860	4880	5900	3740	4640	2960		3790	2410	7.98
0 m			7140*	7140*	11010*	6600	7700	4740	5780	3640	4570	2900		3880	2460	7.8
-1.0 m			9950*	9950*	10680*	6550	7630	4680	5720	3580	4530	2860		4100	2600	7.49
-2.0 m	9660*	9660*	12470*	10700*	10010*	6580	7620	4670	5710	3580	4540	2870		4520	2860	7.02
-3.0 m	13000*	13000*	10980*	10850	8950*	6670	7310*	4730	5770	3630				5290	3340	6.37
-4.0 m	10690*	10690*	8890*	8890*	7350*	6830	5930*	4860						5260*	4290	5.45
-5.0 m					4740*	4740*								4600*	4600*	4.11

Std. chassis with blade, blade down, dipper 2.40 m, 1.0 m³ (698 kg) bucket, 600 mm shoes, max reach 8.02 m

7.0 m						5160*	5160*							5100*	5100*	5.58	
6.0 m				5730*	5730*	5360*	5360*	5100*	4490					3750*	3520	6.86	
5.0 m			7780*	7780*	6570*	6570*	5830*	5830*	5350*	4390	5030*	3350		3770*	3040	7.38	
4.0 m			10240*	10240*	7790*	7790*	6510*	5680	5730*	4230	5220*	3270		3870*	2740	7.73	
3.0 m			10130*	10130*	9170*	7550	7280*	5380	6180*	4060	5480*	3160		4050*	2550	7.94	
2.0 m					10320*	7060	7980*	5100	6610*	3890	5720*	3060	4470*	2450	4330*	2440	8.02
1.0 m					10930*	6750	8460*	4880	6930*	3740	5910*	2960		4730*	2410	7.98	
0 m			7140*	7140*	11010*	6600	8650*	4740	7080*	3640	5970*	2900		5250*	2460	7.8	
-1.0 m			9950*	9950*	10680*	6550	8540*	4680	7010	3580	5850	2860		5330*	2600	7.49	
-2.0 m			12470*	10700	10010*	6580	8120*	4670	660*	3580	5430*	2870		5400*	2860	7.02	
-3.0 m			10980*	10850	8950*	6670	7310*	4730	5920*	3630				5410*	3340	6.37	
-4.0 m			8890*	8890*	7350*	6830	5930*	4860						5260*	4290	5.45	
-5.0 m					4740*	4740*								4600*	4600*	4.11	

LC chassis monoboom, dipper 3 m, 0.9 m³ (651 kg) bucket, 600 mm shoes, max reach 8.59 m

7.0 m						4450*	4450*	3950*	3950*					3520*	3250*	6.36	
6.0 m						4680*	4680*	4540*	4540*	3600*	3600*			2390*	2390*	7.52	
5.0 m				5620*	5620*	5160*	5160*	4820*	4720	4490	3600			2380*	2380*	8.0	
4.0 m			8450*	8450*	6810*	6810*	5860*	5860*	5240*	4550	4820*	3500	3480*	2740	2430*	2430*	8.32
3.0 m			11290*	11290*	8230*	8230*	6670*	5840	5740*	4360	5120*	3370	4280*	2670	2530*	2380	8.52
2.0 m			9660*	9660*	9560*	7780	7470*	5520	6230*	4160	5430*	3250	4460	2590	2680*	2280	8.59
1.0 m			7120*	7120*	10480*	7360	8090*	5250	6640*	3980	5420	3230	4380	2520	2900*	2250	8.55
0 m			7780*	7780*	10880*	7100	8460*	5060	6780	3850	5320	3040	4320	2460	3210*	2280	8.39
-1.0 m	6160*	6160*	9410*	9410*	10830*	6990	8530*	4940	6680	3760	5250	2980	4290	2430	3680*	2390	8.1
-2.0 m	8300*	8300*	11640*	11490	10390*	6960	8300*	4900	6630	3720	5230	2960			4390*	2590	7.67
-3.0 m	10680*	10680*	12160*	11610	9580*	7010	7730*	4920	6320*	3740	5090*	2990			5000*	2950	7.07
-4.0 m	13430*	13430*	10380*	10380*	8320*	7130	6730*	5010	5360*	3820					4900*	3600	6.26
-5.0 m	9740*	9740*	7860*	7860*	6370*	6370*	4970*	4970*							4770*	4770*	5.14

* Hydraulic capacity 87%

CX225SR

Front Side	REACH							
	2.0 m	3.0 m	4.0 m	5.0 m	6.0 m	7.0 m	8.0 m	At max reach

STD. chassis, with blade, blade up, dipper 3 m, 0.9 m³ (651 kg) bucket, 600 mm shoes, max reach at 8.59 m

7.0 m						4450*	4450*	3950*	3950*					3520*	3520*	6.36	
6.0 m						4680*	4680*	4540*	4540*	3600*	3460			2390*	2390*	7.52	
5.0 m				5620*	5620*	5160*	5160*	4820*	4460	4490*	3400			2380*	2380*	8.0	
4.0 m			8450*	8450*	6810	6810*	5860*	5790	5240*	4290	4820*	3300	3480*	2580	2430*	2390	8.32
3.0 m			11290*	11290*	8230*	7780	6670*	5480	5740*	4100	4880	3180	3900	2510	2530*	2230	8.52
2.0 m			9360*	9360*	9560*	7230	7470*	5160	6090	3900	4750	3050	3810	2430	2680*	2140	8.59
1.0 m			7120*	7120*	10480*	6810	7890	4900	5900	3730	4620	2940	3740	2360	2900*	2110	8.55
0 m			7780*	7780*	10880*	6570	7680	4710	5750	3600	4520	2850	3680	2310	3210*	2140	8.39
-1.0 m	6160*	6160*	9410*	9410*	10830*	6450	7550	4600	5650	3510	4460	2790	3640	2280	3580	2240	8.1
-2.0 m	8300*	8300*	11640*	10430	10390*	6430	7510	4560	5610	3480	4440	2770			3880	2430	7.67
-3.0 m	10680*	10680*	12160*	10550	9580*	6480	7530	4580	5630	3490	4470	2800			4400	2760	7.07
-4.0 m	13430*	13430*	10380*	10380	8320*	6600	6730*	4670	5360*	3570					4990*	3370	6.26
-5.0 m	9740*	9740*	7860*	7860*	6370*	6370*	4970*	4850							4770*	4460	5.14

Std. chassis with blade, blade down, dipper 3 m, 0.9 m³ (651 kg) bucket, 600 mm shoes, max reach 8.59 m

7.0 m						4450*	4450*	3950*	3950*					3520*	3520*	6.36	
6.0 m						4680*	4680*	4540*	4540*	3600*	3460			2390*	2390*	7.52	
5.0 m				5620*	5620*	5160*	5160*	4820*	4460	4490*	3400			2380*	2380*	8.0	
4.0 m			8450*	8450*	6810*	6810*	5860*	5790	5240*	4290	4820*	3300	3480*	2580	2430*	2390	8.32
3.0 m			11290*	11290*	8230*	7780	6670*	5480	5740*	4100	5120*	3180	4280*	2510	2530*	2230	8.52
2.0 m			9360*	9360*	9560*	7230	7470*	5160	6230*	3900	5430*	3050	4860*	2430	2680*	2140	8.59
1.0 m			7120*	7120*	10480*	6810	8090*	4900	6640*	3730	5680*	2940	4990*	2360	2900*	2110	8.55
0 m			7780*	7780*	10880*	6570	8460*	4710	6910*	3600	5840*	2850	5040*	2310	3210*	2140	8.39
-1.0 m			9410*	9410*	10830*	6450	8530*	4600	6970*	3510	5850*	2790	4370*	2280	3680*	2240	8.1
-2.0 m			11640*	10430	10390*	6430	8300*	4560	6800*	3480	5640*	2770			4390*	2430	7.67
-3.0 m			12160*	10550	9580*	6480	7730*	4580	6320*	3490	5090*	2800			5000*	2760	7.07
-4.0 m			10380*	10380*	8320*	6600	6730*	4670	5360*	3570					4990*	3370	6.26
-5.0 m			7860*	7860*	6370*	6370*	4970*	4850							4770*	4460	5.14

* Hydraulic capacity 87%

www.casece.com

EXPERTS FOR THE REAL WORLD
SINCE 1842

CASE
CONSTRUCTION



PARTS AND SERVICE

Wide network of customer support across the world.

No matter where you work, we're here to support and protect your investment and exceed your expectations. You can count on CASE and your CASE dealer for full-service solutions-productive equipment, expert advice, flexible financing, genuine CASE parts and fast service. We're here to provide you with the ultimate ownership experience. To locate a CASE dealer or learn more about CASE equipment or customer service, go to www.casece.com

NOTE: CASE provides specific outfits for various countries and many optional fittings (OPT). The illustrations on this or other leaflets may relate to standard or optional fittings. please consult your CASE dealer for any information in this regard and any possible updating on components. CNH Industrial reserves the right to modify machine specifications without incurring any obligation relating to such changes.

